



**CABINETS
FROM US
TO YOU!**



At 411Kitchen Cabinets we believe every kitchen should be as unique as the family it belongs to. So we offer a wide range of styles, colors and finishes, so your home can look exactly the way you always dreamt it would. Every cabinet made in manufacturing facility is built using only the highest quality sourced materials, industry leading machinery and highly skilled craftsmen, so we can meet the highest standard in the industry; yours. We know your kitchen is the heart of your home, so we take pride when we say that we are not in the kitchen cabinet business; we are in the business of creating memories that are as timeless as our products.

CABINET CONSTRUCTION SPECIFICATIONS

Doors:

We use Select North American Hard Wood for our cabinetry. It a handsome selection that has been widely used in the manufacturing of cabinetry for years, its versatility and durability makes it a timeless classic in our industry.

Box Material:

Our boxes are made of CARB Phase II certified plywood with wood veneer. There is no formaldehyde added in the process of making our plywood. The boxes are $\frac{3}{4}$ " plywood for sides, bottom and top (wall cabinets), and reinforced with $\frac{1}{2}$ " plywood backing. Our cabinet boxes are the sturdiest boxes you will find in the industry.

Finish:

The 411 Kitchen Cabinets Signature Series doors are multi-step finished with a two-part post-catalyzed conversion varnish. We use formaldehyde free, high performance conversion varnish that is heat resistant, chemical resistant, and has exceptional non yellowing characteristics. Conversion varnish is more durable and has a higher elasticity, which allows it to hold up better through joint expansion as compared to traditional lacquer. The boxes go through a UV finishing process, which is durable, environmentally-friendly and free from formaldehyde and hazardous substances. This process is not only safe but also kinder to the environment at our production facilities.

Drawer boxes:

The drawer box for the 411 Signature Series is constructed of solid wood with a clear finish and is joined with tight dovetails. All drawers come with a $\frac{1}{4}$ " plywood floor.

Shelving:

Two adjustable shelves come with every 30" and 36" high wall cabinet. Three adjustable shelves come with 42" high cabinets. One 15" deep, adjustable shelf comes with every top drawer base cabinet. Two 15" deep, adjustable shelves come with full height door base cabinets. Tall cabinets come with 21" deep shelves. Shelves are made of $\frac{3}{4}$ " plywood and edgebanded on front and back.

Toe kicks:

Every base cabinet comes with a $\frac{3}{4}$ " toe kick that is finished on both ends. In addition we offer finished toekicks 96" x 4 $\frac{1}{2}$ " x $\frac{1}{4}$ " for purchase separately.

Drawer Glides:

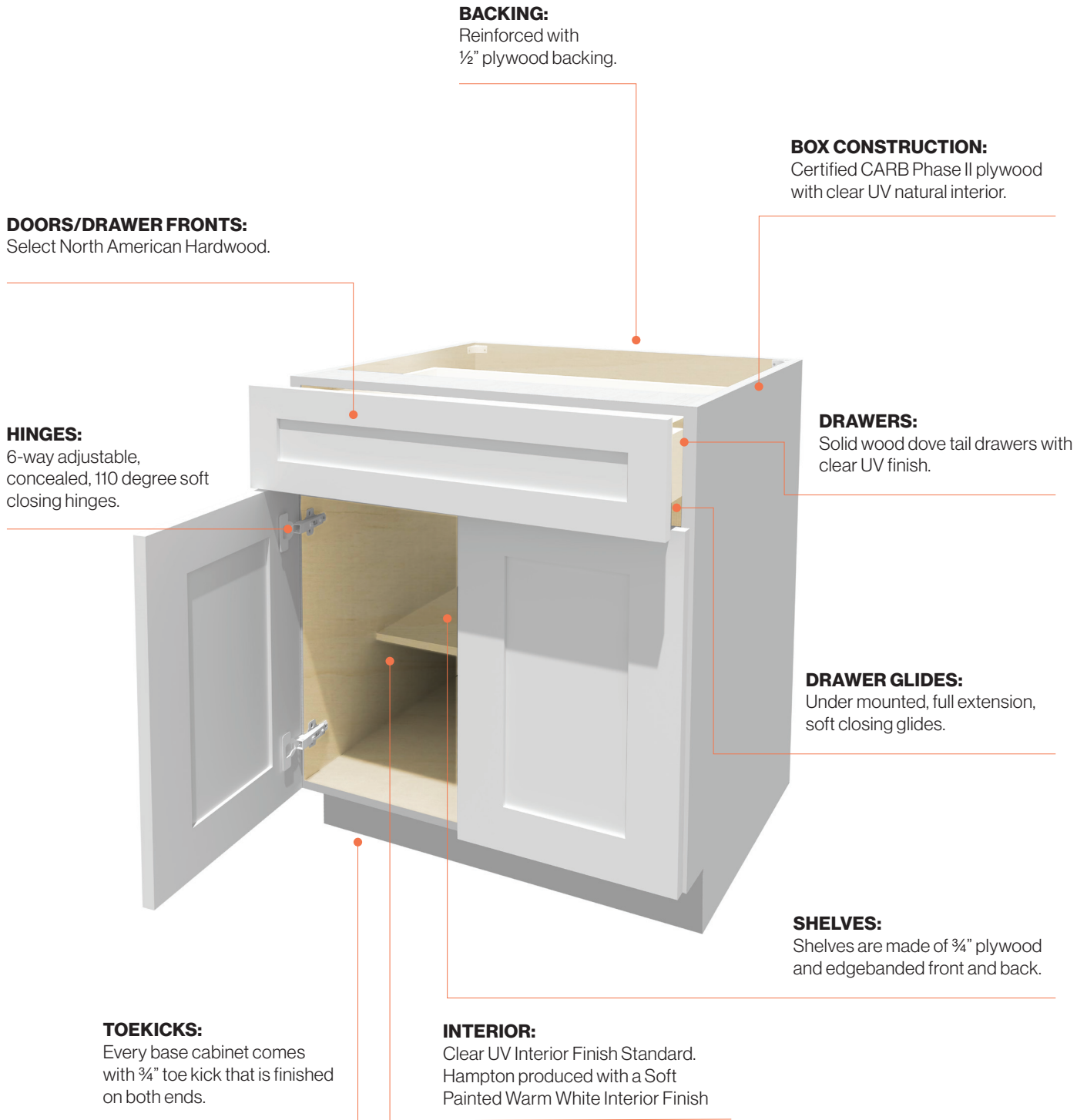
Under mounted, full extension, soft close.

Hinges:

6-way adjustable, concealed, 110 degree soft closing hinges. Specialty cabinets such as lazy susans and angle wall cabinets are not available with soft closing system.

411 signature series

● Cabinet Construction At a Glance



American White



SPECIFICATIONS

- 5 Piece ¾" Mortise & Tenon Stile and Rail Door with a 5/8" MDF Raised Center Panel.
- 5 Piece ¾" Mortise and Tenon Stile and Rail Drawer Front with a ¼" MDF Flat Center Panel.

PRODUCT OVERVIEW

- Select North American Hardwood
- 3" Stiles and Rails with Beveled Interior Edge
- Square Outside Edge
- Soft Painted Warm White Exterior Finish
- Sides and Edge Banding Match Exterior Finish
- Clear UV Interior Finish

Smokey Gray



SPECIFICATIONS

- 5 Piece ¾" Mortise & Tenon Stile and Rail Door with a ¼" Veneered Flat Center Panel.
- Matching 5 Piece ¾" Mortise and Tenon Stile and Rail Drawer Front with a ¼" Veneered Flat Center Panel.

PRODUCT OVERVIEW

- Select North American Hardwood
- 3" Stiles and Rails with Beveled Interior Edge
- Square Outside Edge
- Smokey Gray Exterior Finish
- Sides and Edge Banding Match Exterior Finish
- Clear UV Interior Finish

White Shaker



SPECIFICATIONS

- 5 Piece ¾" Mortise & Tenon Stile and Rail Door with a ¼" MDF Flat Center Panel.
- Matching 5 Piece ¾" Mortise and Tenon Stile and Rail Drawer Front with a ¼" MDF Flat Center Panel.

PRODUCT OVERVIEW

- Select North American Hardwood
- 3" Stiles and Rails with Square Interior Edge
- Square Outside Edge
- Soft Painted Warm White Exterior Finish
- Sides and Edge Banding Match Exterior and Interior Finish
- Soft Painted Warm White Interior Finish

American Gray



SPECIFICATIONS

- 5 Piece $\frac{3}{4}$ " Mortise & Tenon Stile and Rail Door with a $\frac{1}{4}$ " MDF Flat Center Panel.
- Matching 5 Piece $\frac{3}{4}$ " Mortise and Tenon Stile and Rail Drawer Front with a $\frac{1}{4}$ " MDF Flat Center Panel.

PRODUCT OVERVIEW

- Select North American Hardwood
- 3" Stiles and Rails with Beveled Interior Edge
- Square Outside Edge
- Soft Painted Gray Exterior Finish
- Sides and Edge Banding Match Exterior Finish
- Clear UV Interior Finish

White Vail



SPECIFICATIONS

- 5 Piece $\frac{3}{4}$ " Mortise & Tenon Stile and Rail Door with a $\frac{1}{4}$ " MDF Flat Center Panel.
- Matching 5 Piece $\frac{3}{4}$ " Mortise and Tenon Stile and Rail Drawer Front with a $\frac{1}{4}$ " MDF Flat Center Panel.

PRODUCT OVERVIEW

- Select North American Hardwood
- 3" Stiles and Rails with Beveled Interior Edge
- Square Outside Edge
- Soft Painted Warm White Exterior Finish
- Sides and Edge Banding Match Exterior Finish
- Clear UV Interior Finish

Gray Shaker



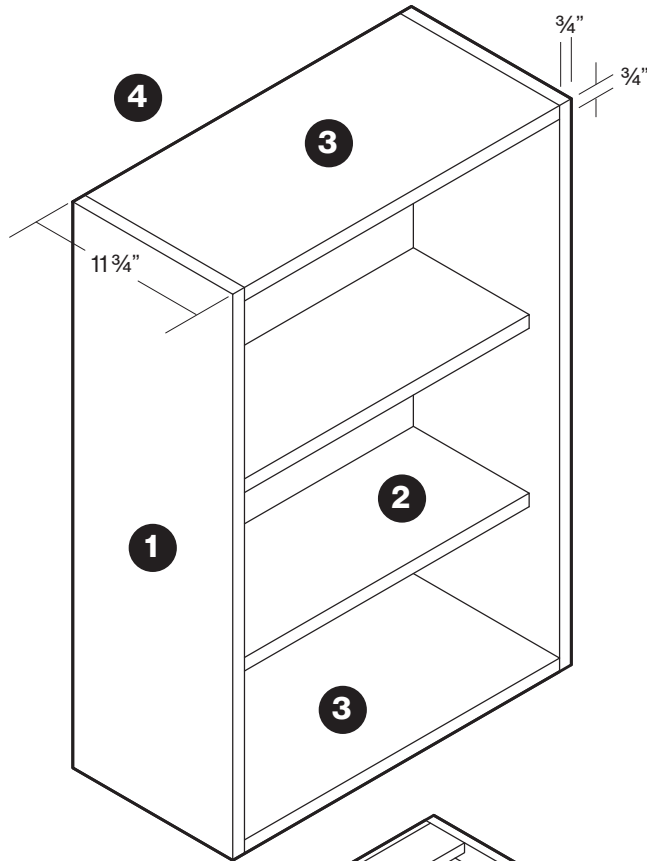
SPECIFICATIONS

- 5 Piece $\frac{3}{4}$ " Mortise & Tenon Stile and Rail Door with a $\frac{1}{4}$ " MDF Flat Center Panel.
- Matching 5 Piece $\frac{3}{4}$ " Mortise and Tenon Stile and Rail Drawer Front with a $\frac{1}{4}$ " MDF Flat Center Panel.

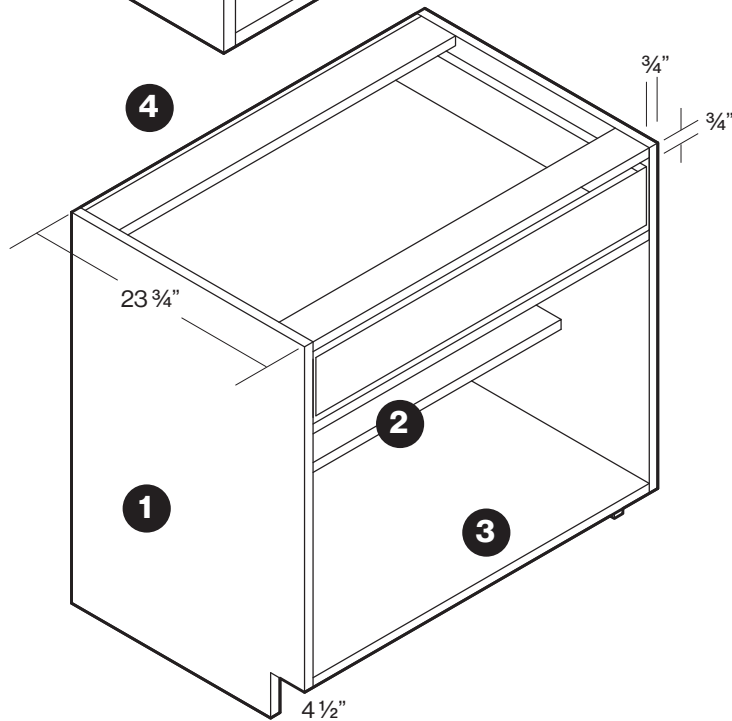
PRODUCT OVERVIEW

- Select North American Hardwood
- 3" Stiles and Rails with Square Interior Edge
- Square Outside Edge
- Soft Painted Gray Exterior Finish
- Sides and Edge Banding Match Exterior Finish
- Clear UV Interior Finish

Full Access Cabinet Specifications

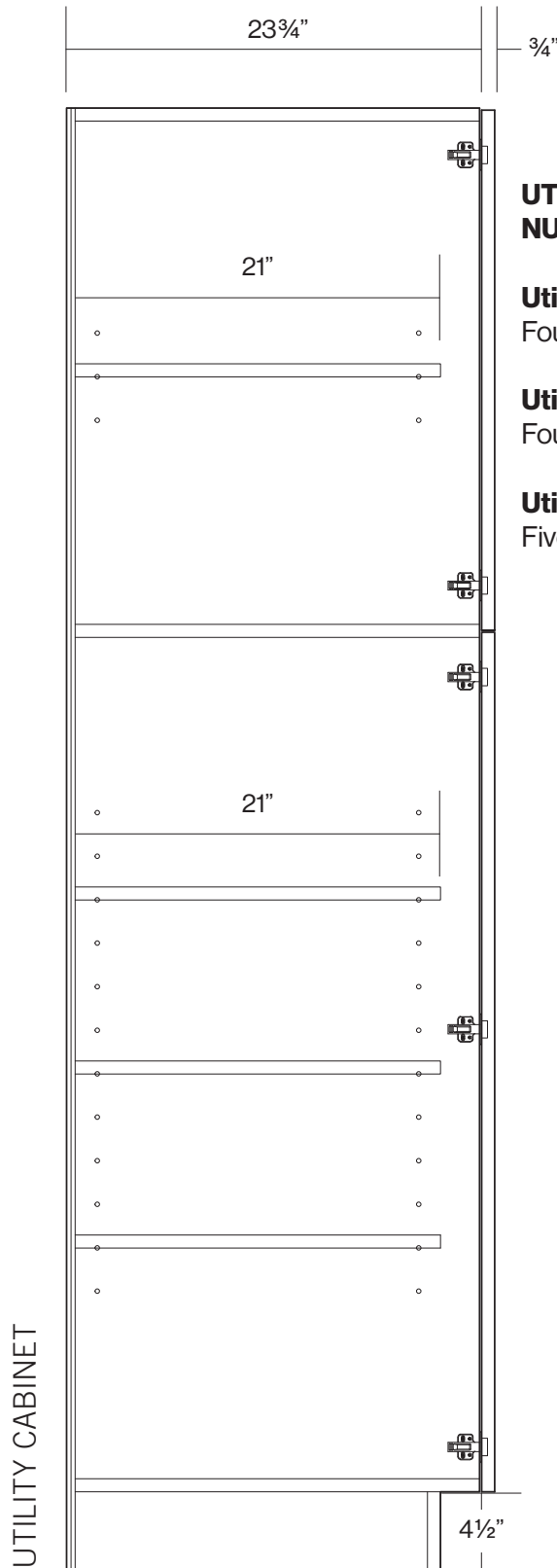


- 1 3/4" Sides
- 2 3/4" Adjustable Shelves
- 3 3/4" Top and Bottom
- 4 1/2" Plywood Back



- 1 3/4" Sides
- 2 3/4" Adjustable Shelves
- 3 3/4" Bottom
- 4 1/2" Plywood Back

Full Access Tall, Wall and Base Cabinet Specifications

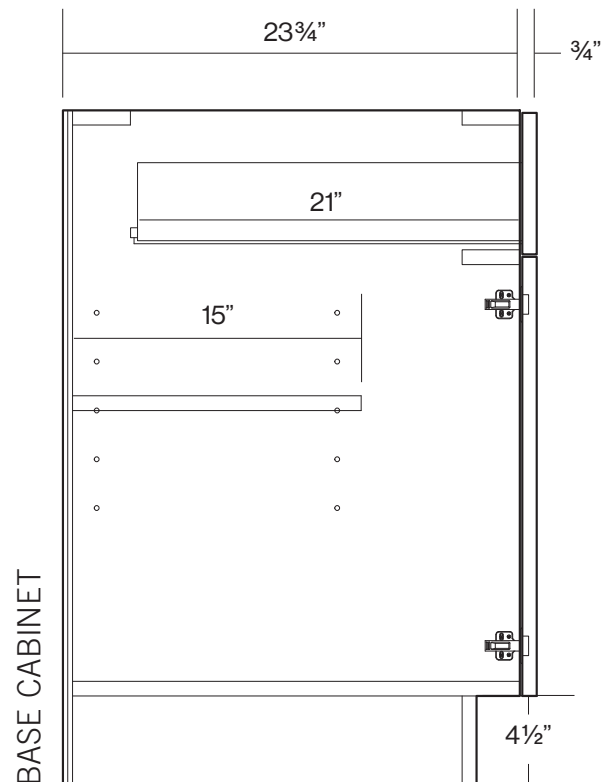
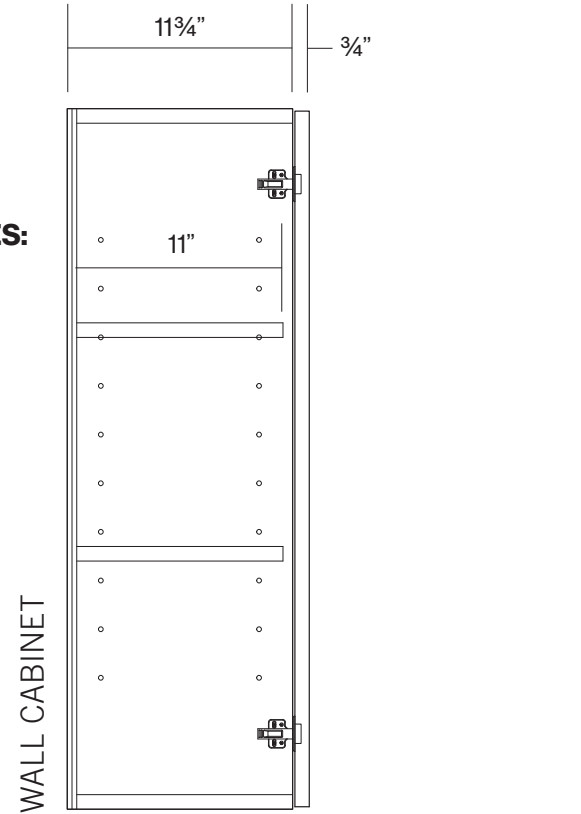


**UTILITY CABINET
NUMBER OF SHELVES:**

Utility 84":
Four Shelves

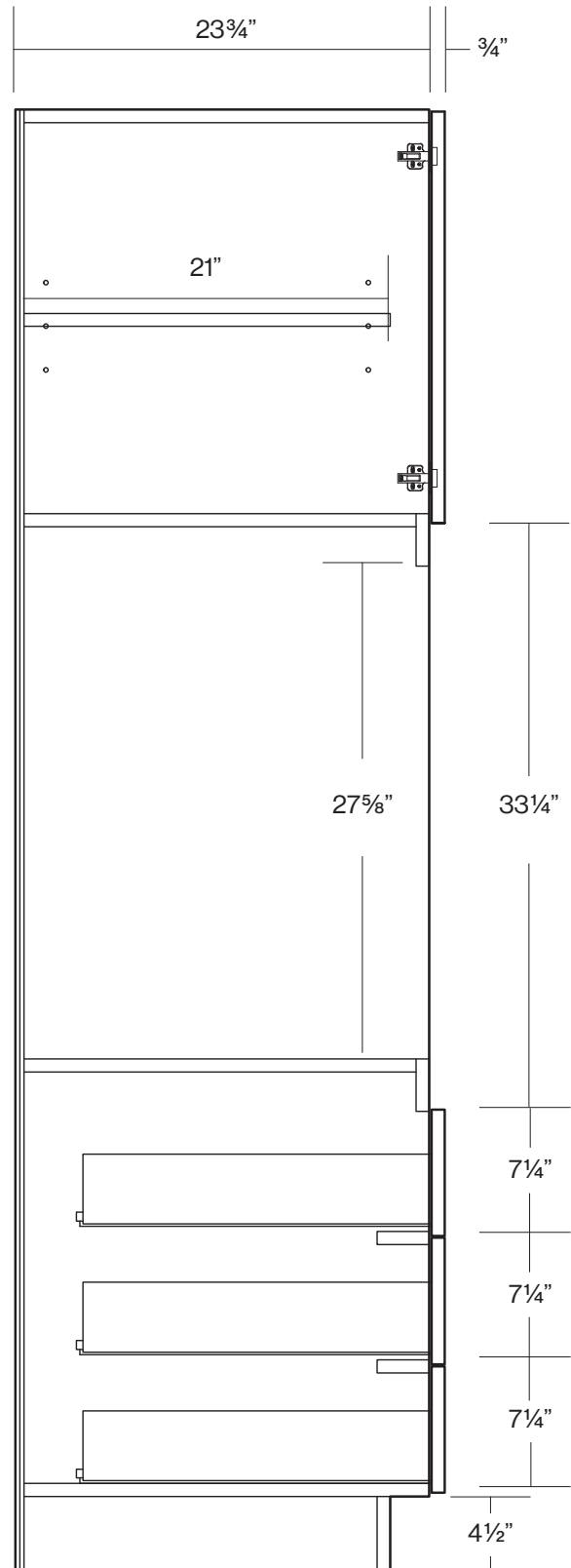
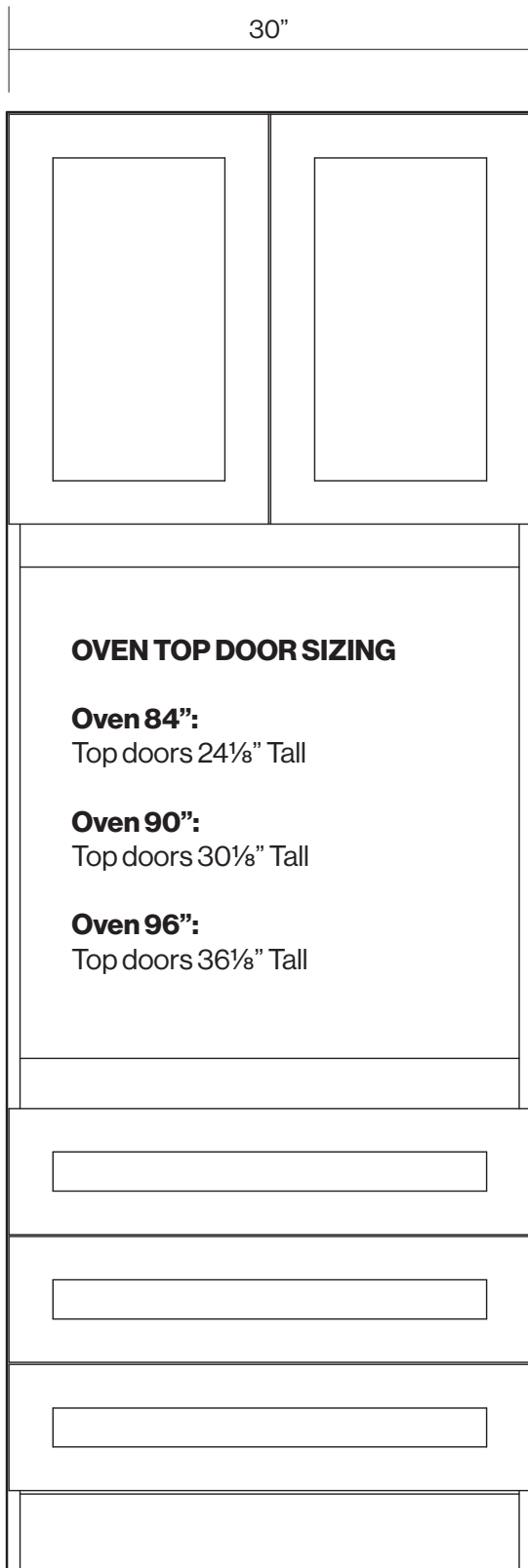
Utility 90":
Four Shelves

Utility 96":
Five Shelves



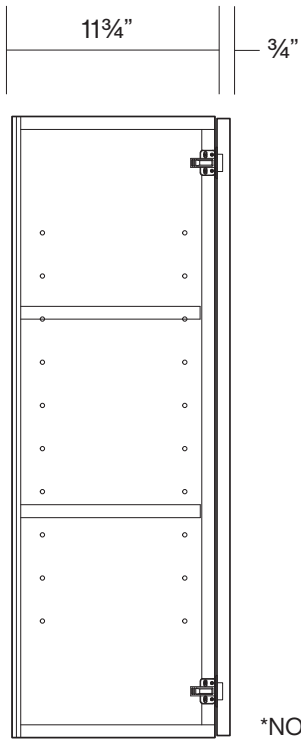
Full Access Oven Cabinet Specifications

OVEN CABINET



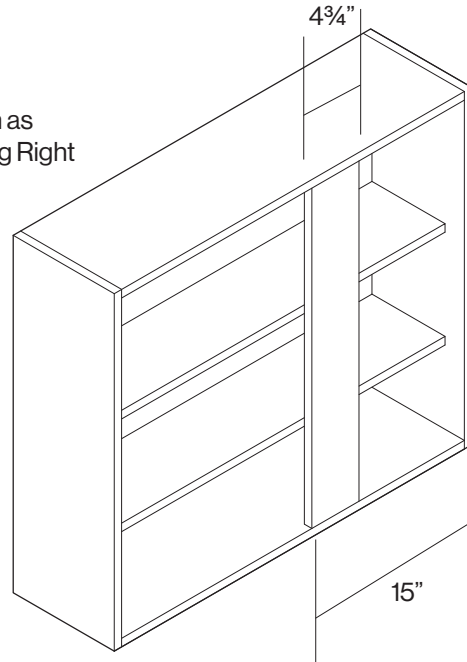
Full Access Blind Corner Cabinet Specifications

WALL BLIND CORNER

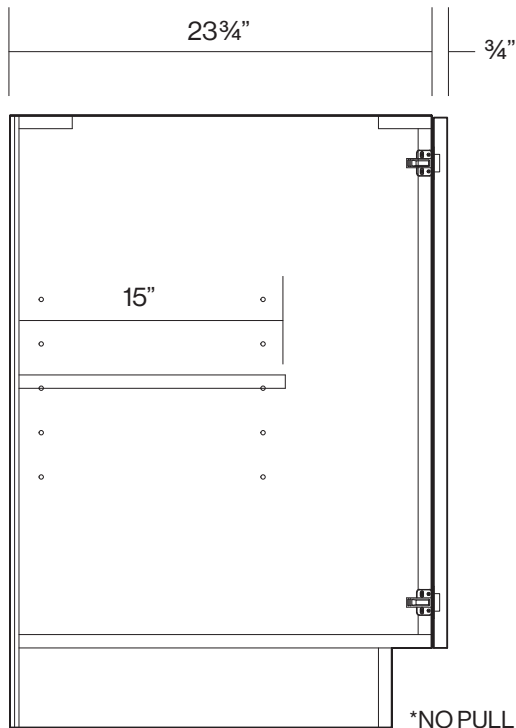


*NO PULL REQUIRED

Shown as
Door Swing Right

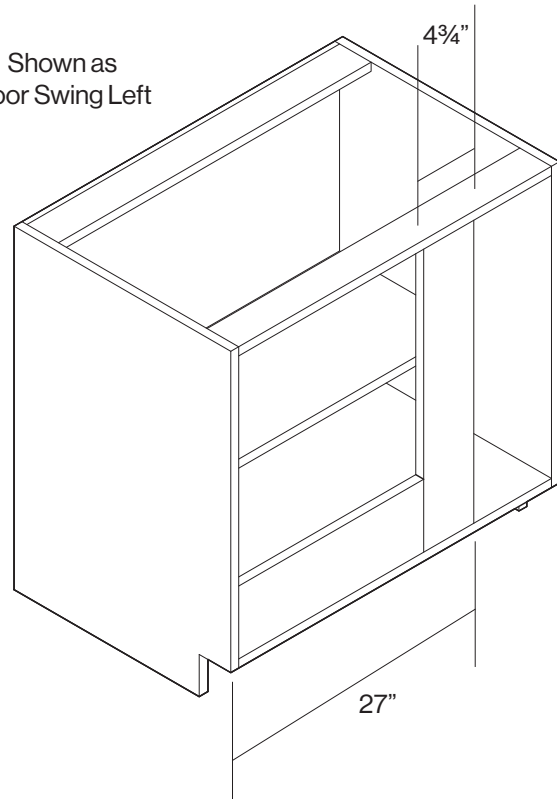


BASE BLIND CORNER



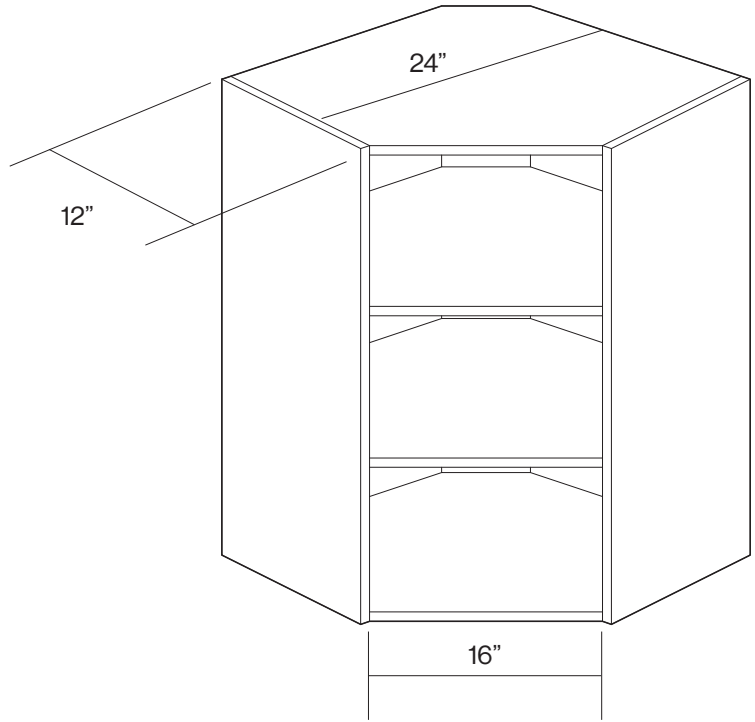
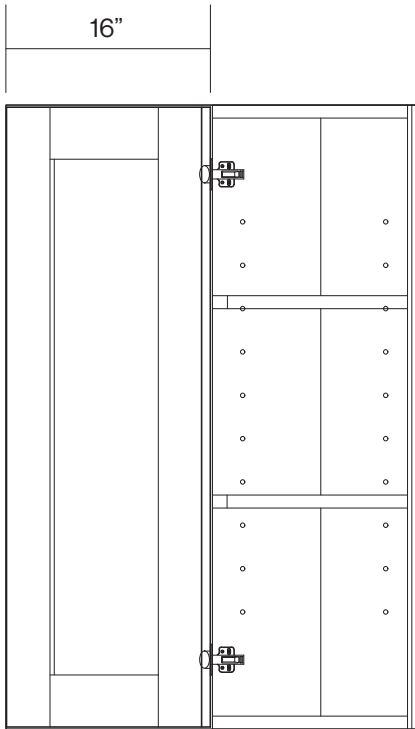
*NO PULL REQUIRED

Shown as
Door Swing Left

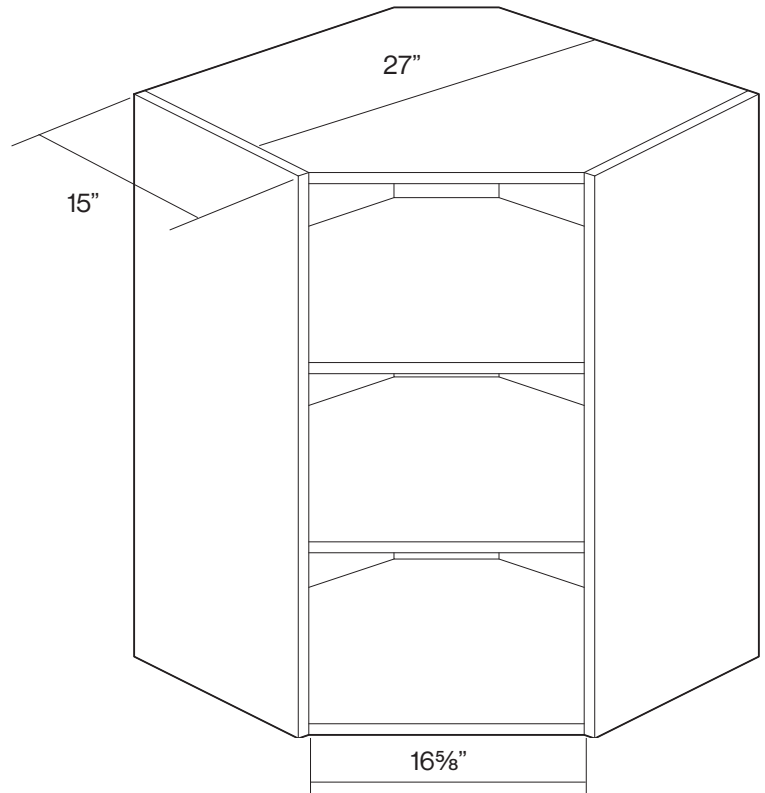
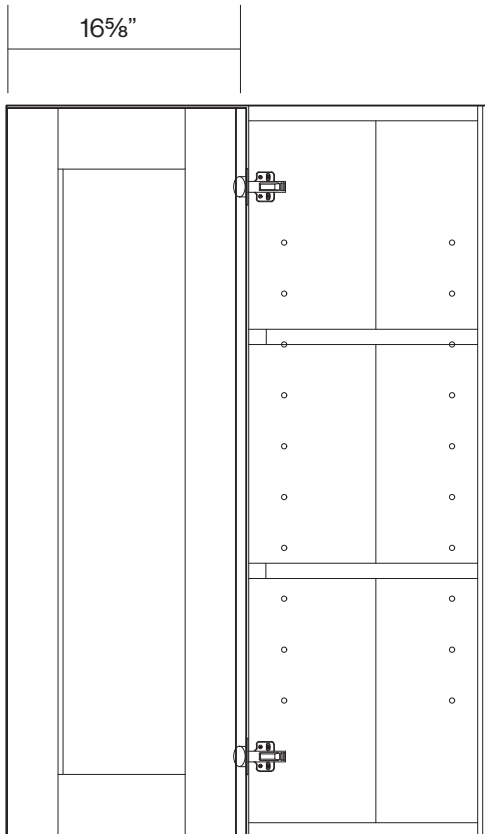


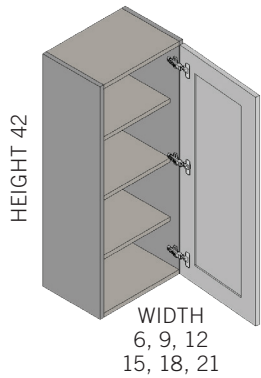
Full Access Angle Cabinet Specifications

WALL ANGLE CABINET 24"



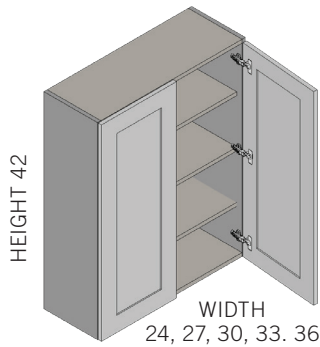
WALL ANGLE CABINET 27"





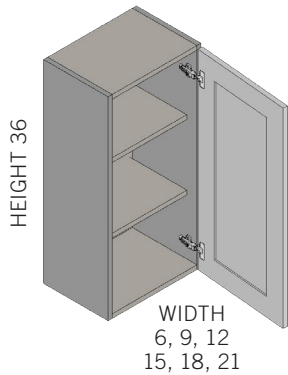
Wall Cabinet 42" High

Item No.	Width	Height	Depth
W0642	6	42	11 3/4
W0942	9	42	11 3/4
W1242	12	42	11 3/4
W1542	15	42	11 3/4
W1842	18	42	11 3/4
W2142	21	42	11 3/4



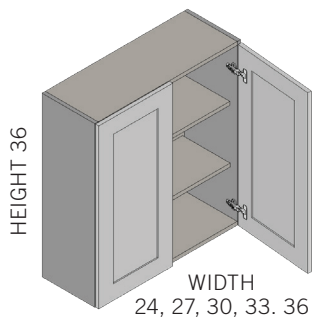
Wall Cabinet 42" High (Double Door)

Item No.	Width	Height	Depth
W2442	24	42	11 3/4
W2742	27	42	11 3/4
W3042	30	42	11 3/4
W3342	33	42	11 3/4
W3642	36	42	11 3/4



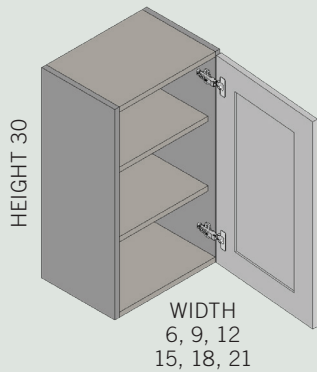
Wall Cabinet 36" High

Item No.	Width	Height	Depth
W0636	6	36	11 3/4
W0936	9	36	11 3/4
W1236	12	36	11 3/4
W1536	15	36	11 3/4
W1836	18	36	11 3/4
W2136	21	36	11 3/4



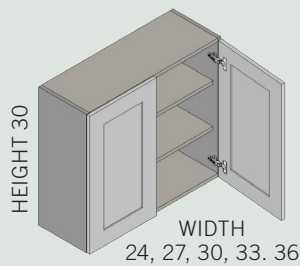
Wall Cabinet 36" High (Double Door)

Item No.	Width	Height	Depth
W2436	24	36	11 3/4
W2736	27	36	11 3/4
W3036	30	36	11 3/4
W3336	33	36	11 3/4
W3636	36	36	11 3/4



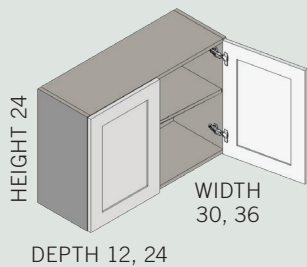
Wall Cabinet 30" High

Item No.	Width	Height	Depth
W0630	6	30	11 3/4
W0930	9	30	11 3/4
W1230	12	30	11 3/4
W1530	15	30	11 3/4
W1830	18	30	11 3/4
W2130	21	30	11 3/4



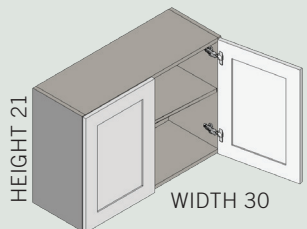
Wall Cabinet 30" High (Double Door)

Item No.	Width	Height	Depth
W2430	24	30	11 3/4
W2730	27	30	11 3/4
W3030	30	30	11 3/4
W3330	33	30	11 3/4
W3630	36	30	11 3/4



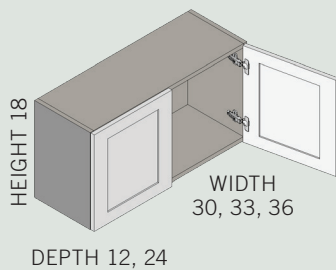
Wall Cabinet 24" High (Double Door)

Item No.	Width	Height	Depth
W3024	30	24	11 3/4
W3624	36	24	11 3/4
W362424	36	24	23 3/4



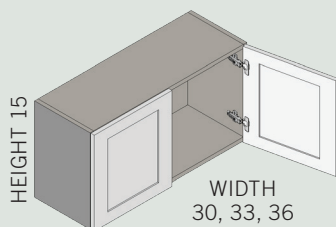
Wall Cabinet 21" High (Double Door)

Item No.	Width	Height	Depth
W3021	30	21	11 3/4



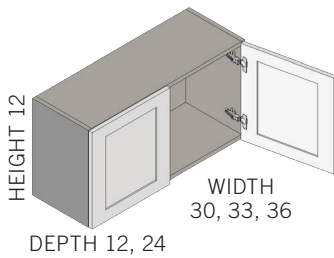
Wall Cabinet 18" High (Double Door)

Item No.	Width	Height	Depth
W3018	30	18	11 3/4
W3318	33	18	11 3/4
W3618	36	18	11 3/4
W361824	36	18	23 3/4



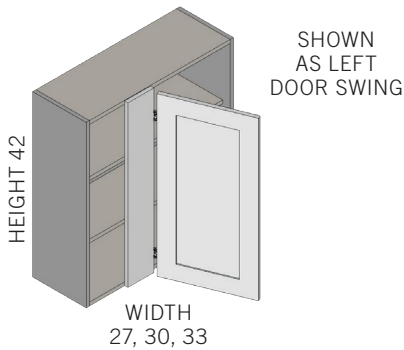
Wall Cabinet 15" High (Double Door)

Item No.	Width	Height	Depth
W3015	30	15	11 3/4
W3315	33	15	11 3/4
W3615	36	15	11 3/4



Wall Cabinet 12" High (Double Door)

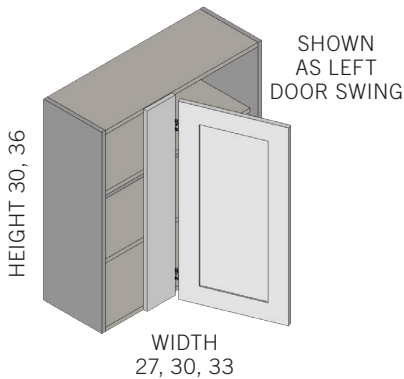
Item No.	Width	Height	Depth
W3012	30	12	11 3/4
W3312	33	12	11 3/4
W3612	36	12	11 3/4
W361224	36	12	23 3/4



Wall Blind Corner 42" High

Item No.	Width	Height	Depth
WBC2742	27	42	11 3/4
WBC3042	30	42	11 3/4
WBC3342	33	42	11 3/4

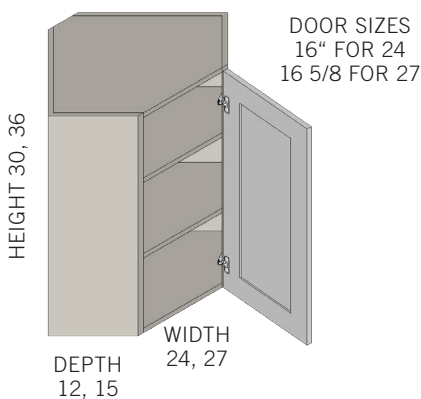
Door sizes are 11^{7/8}", 14^{7/8}" and 17^{7/8}" Respectively



Wall Blind Corner 36" High

Item No.	Width	Height	Depth
WBC2736	27	36	11 3/4
WBC3036	30	36	11 3/4
WBC3336	33	36	11 3/4

Door sizes are 11^{7/8}", 14^{7/8}" and 17^{7/8}" Respectively



Wall Blind Corner 30" High

Item No.	Width	Height	Depth
WBC2730	27	30	11 3/4
WBC3030	30	30	11 3/4
WBC3330	33	30	11 3/4

Door sizes are 11^{7/8}", 14^{7/8}" and 17^{7/8}" Respectively

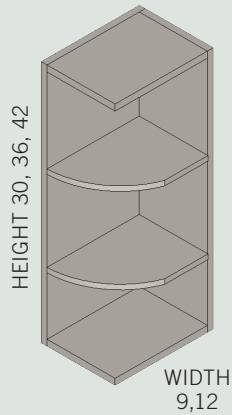
Angle Wall Cabinet 12" Deep

Item No.	Width	Height	Depth
AWC2430	24	30	12
AWC2436	24	36	12
AWC2442	24	42	12

The AWC box is designed to protrude 1/4" For proper door alignment to adjacent cabinets

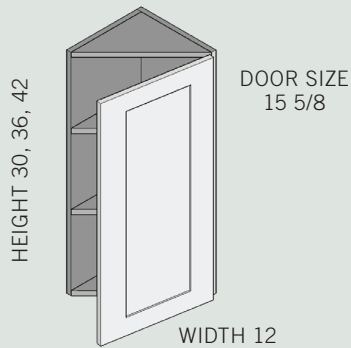
Angle Wall Cabinet 15" Deep

Item No.	Width	Height	Depth
AWC273015	27	30	15
AWC273615	27	36	15
AWC274215	27	42	15



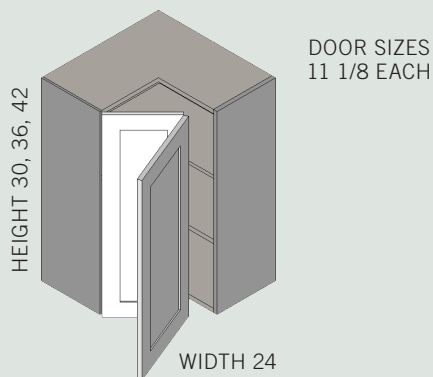
Wall End Open Shelf

Item No.	Width	Height	Depth
WEOS930	9	30	11 3/4
WEOS936	9	36	11 3/4
WEOS1242	12	42	11 3/4



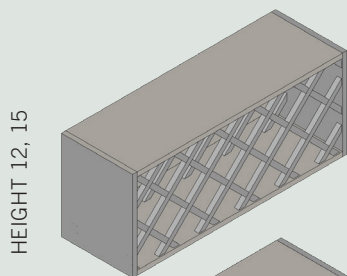
Wall Diagonal Cabinet

Item No.	Width	Height	Depth
WDC1230	12	30	11 3/4
WDC1236	12	36	11 3/4
WDC1242	12	42	11 3/4



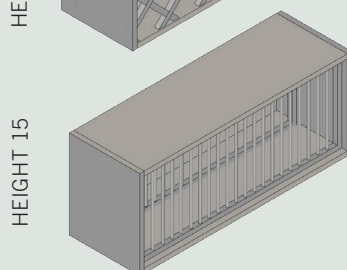
Wall Easy Reach

Item No.	Width	Height	Depth
WEZR2430	24	30	11 3/4
WEZR2436	24	36	11 3/4
WEZR2442	24	42	11 3/4



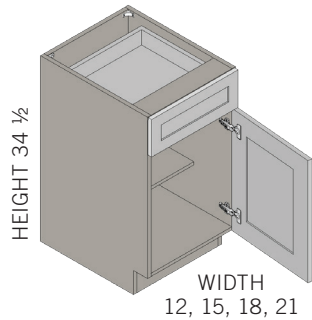
Wine Rack

Item No.	Width	Height	Depth
WR3612	36	12	11 3/4
WR3615	36	15	11 3/4



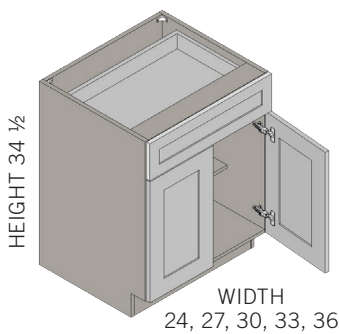
Wall Plate Rack

Item No.	Width	Height	Depth
WCD3615	36	15	11 3/4



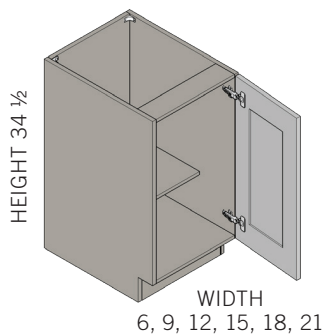
Base Cabinet (Single Door & Drawer)

Item No.	Width	Height	Depth
B12	12	34 ^{1/2}	23 3/4
B15	15	34 ^{1/2}	23 3/4
B18	18	34 ^{1/2}	23 3/4
B21	21	34 ^{1/2}	23 3/4



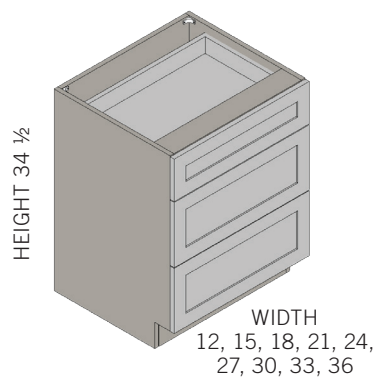
Base Cabinet (Double Door & Single Drawer)

Item No.	Width	Height	Depth
B24	24	34 ^{1/2}	23 3/4
B27	27	34 ^{1/2}	23 3/4
B30	30	34 ^{1/2}	23 3/4
B33	33	34 ^{1/2}	23 3/4
B36	36	34 ^{1/2}	23 3/4



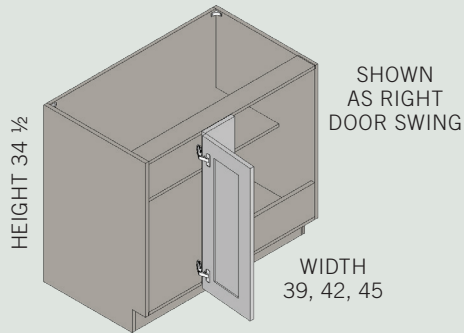
Base Cabinet (Full Height Door)

Item No.	Width	Height	Depth
BFHD06	6	34 ^{1/2}	23 3/4
BFHD09	9	34 ^{1/2}	23 3/4
BFHD12	12	34 ^{1/2}	23 3/4
BFHD15	15	34 ^{1/2}	23 3/4
BFHD18	18	34 ^{1/2}	23 3/4
BFHD21	21	34 ^{1/2}	23 3/4



Drawer Base (3 Drawers)

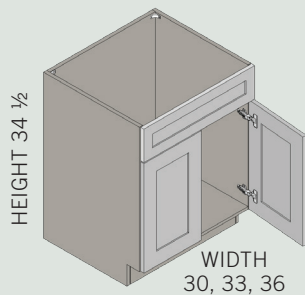
Item No.	Width	Height	Depth
DB12-3	12	34 ^{1/2}	23 3/4
DB15-3	15	34 ^{1/2}	23 3/4
DB18-3	18	34 ^{1/2}	23 3/4
DB21-3	21	34 ^{1/2}	23 3/4
DB24-3	24	34 ^{1/2}	23 3/4
DB27-3	27	34 ^{1/2}	23 3/4
DB30-3	30	34 ^{1/2}	23 3/4
DB33-3	33	34 ^{1/2}	23 3/4
DB36-3	36	34 ^{1/2}	23 3/4



Blind Corner Base

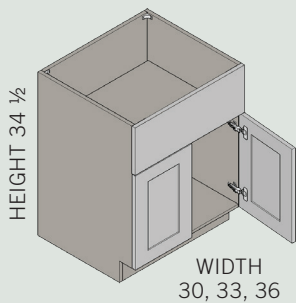
Item No.	Width	Height	Depth
BCB39	39	34 ^{1/2}	23 3/4
BCB42	42	34 ^{1/2}	23 3/4
BCB45	45	34 ^{1/2}	23 3/4

Door sizes are 11^{7/8}" , 14^{7/8}" and 17^{7/8}" Respectively



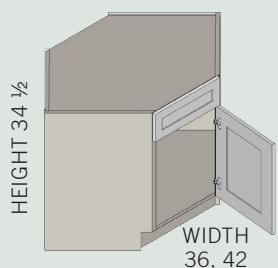
Sink Base (Double Door & Single Drawer)

Item No.	Width	Height	Depth
SB30	30	34 ^{1/2}	23 3/4
SB33	33	34 ^{1/2}	23 3/4
SB36	36	34 ^{1/2}	23 3/4



Farm Sink Base (Double Door)

Item No.	Width	Height	Depth
FSB30	30	34 ^{1/2}	23 3/4
FSB33	33	34 ^{1/2}	23 3/4
FSB36	36	34 ^{1/2}	23 3/4

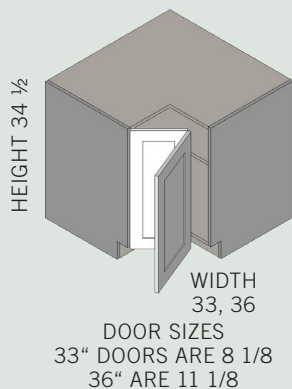


Angle Sink Base

Item No.	Width	Height	Depth
ASB36	33	34 ^{1/2}	24
ASB42	42	34 ^{1/2}	24

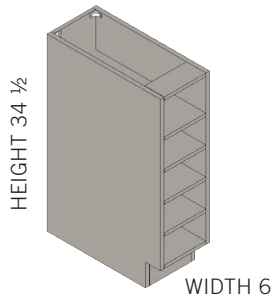
The ASB box is designed to protrude 1/4"
For proper door alignment to adjacent cabinets

DOOR SIZES
36" HAS ONE DOOR
42" HAS TWO DOORS



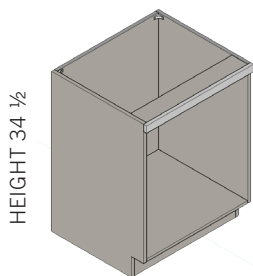
Base Easy Reach

Item No.	Width	Height	Depth
LS33	33	34 ^{1/2}	23 3/4
LS36	36	34 ^{1/2}	23 3/4



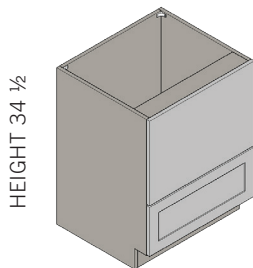
Base Wine Rack

Item No.	Width	Height	Depth
BWR6	6	34 ^{1/2}	23 3/4



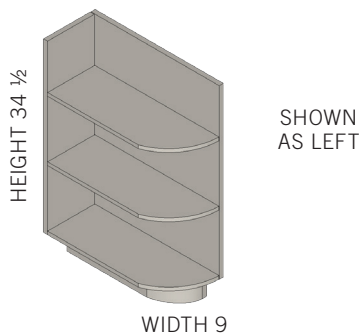
Base Oven Cabinet

Item No.	Width	Height	Depth
BOC27	27	34 ^{1/2}	23 3/4
BOC30	30	34 ^{1/2}	23 3/4
BOC33	33	34 ^{1/2}	23 3/4



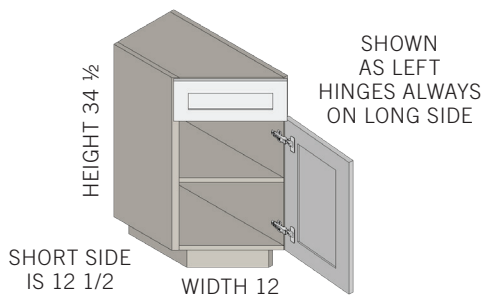
Base Microwave Oven Cabinet

Item No.	Width	Height	Depth
MWB24	24	34 ^{1/2}	23 3/4
MWB27	27	34 ^{1/2}	23 3/4
MWB30	30	34 ^{1/2}	23 3/4
MWB33	33	34 ^{1/2}	23 3/4



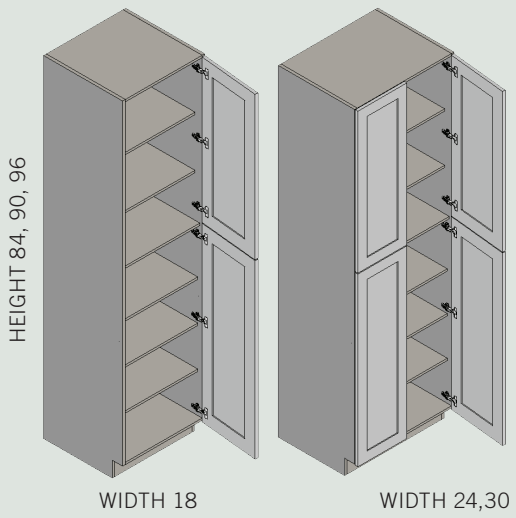
Base Open End Cabinet

Item No.	Width	Height	Depth
BEC9 R/L	9	34 ^{1/2}	23 3/4



Base End Angle

Item No.	Width	Height	Depth
BEA1224	12	34 ^{1/2}	23 3/4



Utility Cabinet 96"

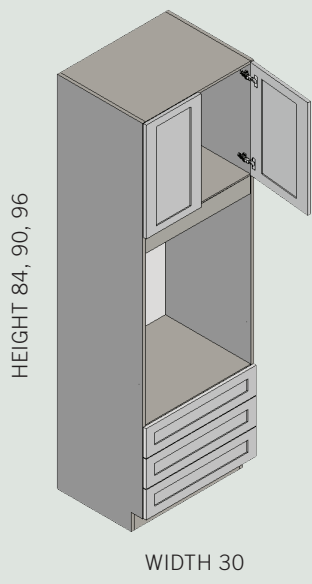
Item No.	Width	Height	Depth
UC1896	18	96	23 3/4
UC2496	24	96	23 3/4
UC3096	30	96	23 3/4

Utility Cabinet 90"

Item No.	Width	Height	Depth
UC1890	18	90	23 3/4
UC2490	24	90	23 3/4
UC3090	30	90	23 3/4

Utility Cabinet 84"

Item No.	Width	Height	Depth
UC1884	18	84	23 3/4
UC2484	24	84	23 3/4
UC3084	30	84	23 3/4



Oven Cabinet 96"

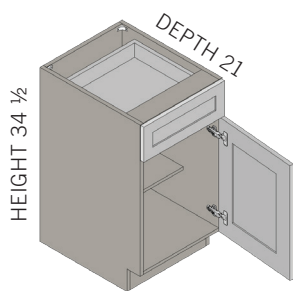
Item No.	Width	Height	Depth
OC3096	30	96	23 3/4

Oven Cabinet 90"

Item No.	Width	Height	Depth
OC3090	30	90	23 3/4

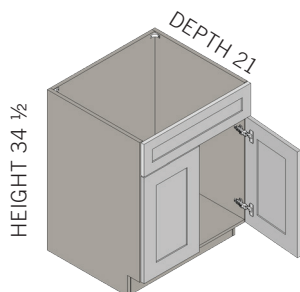
Oven Cabinet 84"

Item No.	Width	Height	Depth
OC3084	30	84	23 3/4



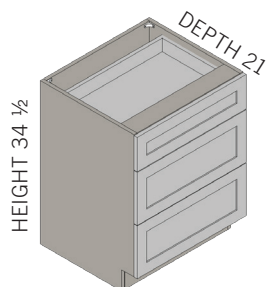
Vanity Base (Single Drawer & Door)

Item No.	Width	Height	Depth
VB15	15	34 ^{1/2}	21
VB18	18	34 ^{1/2}	21
VB21	21	34 ^{1/2}	21



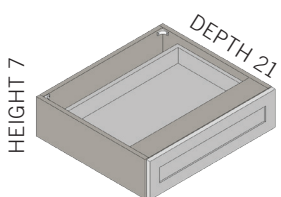
Vanity Sink Base (Single Drawer & Double Door)

Item No.	Width	Height	Depth
VSB24	24	34 ^{1/2}	21
VSB30	30	34 ^{1/2}	21
VSB33	33	34 ^{1/2}	21
VSB36	36	34 ^{1/2}	21



Vanity Drawer Base (3 Drawers)

Item No.	Width	Height	Depth
VDB12-3	12	34 ^{1/2}	21
VDB15-3	15	34 ^{1/2}	21
VDB18-3	18	34 ^{1/2}	21



Vanity Knee Drawer

Item No.	Width	Height	Depth
VDK24	24	7	21
VDK30	30	7	21



Dove Tail Rollout

Item No.	Width	Height	Depth
P018	18	4 1/4	21
P021	21	4 1/4	21
P024	24	4 1/4	21
P027	27	4 1/4	21
P030	30	4 1/4	21
P036	36	4 1/4	21



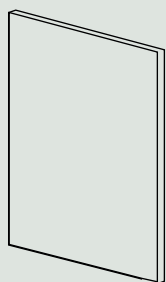
Filler 3"

Item No.	Width	Height	Depth
F330	3	30	3/4
F336	3	36	3/4
F342	3	42	3/4
F396	3	96	3/4



Filler 6"

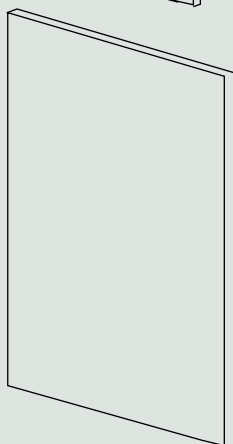
Item No.	Width	Height	Depth
F630	6	30	3/4
F636	6	36	3/4
F642	6	42	3/4
F696	6	96	3/4



Base End Panel

Item No.	Width	Height	Depth
BEP	3/4	34 ^{1/2}	23 ^{3/4}

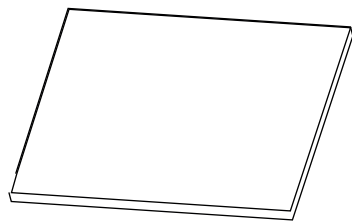
Edgebanded front and back



Refrigerator Panel

Item No.	Width	Height	Depth
REP3696	36	96	3/4

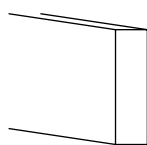
Edgebanded front and back



Finish Back Panel

Item No.	Width	Height	Depth
FBP4896	96	48	1/8

Sides not edgebanded



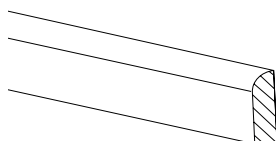
Toe Kick

Item No.	Width	Height	Depth
TK96	96	4 ^{1/2}	1/8



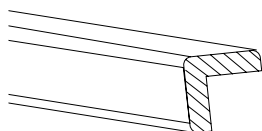
Decorative Base Moulding

Item No.	Width	Height	Depth
BM96	96	4 ^{1/2}	3/4



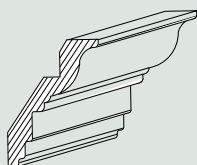
Scribe Moulding

Item No.	Width	Height	Depth
SM96	96	3/4	1/4



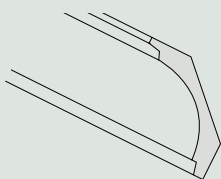
Outside Corner Moulding

Item No.	Width	Height	Depth
OCM	96	3/4	1/4



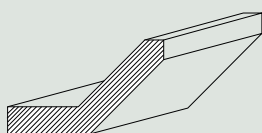
Classic Crown Moulding

Item No.	Width	Height	Depth
CCM	96	3 ^{3/4}	3/4



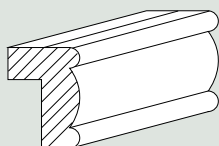
Classic Cove Moulding

Item No.	Width	Height	Depth
CVCM	96	3 ^{3/4}	3/4



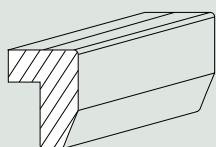
Angle Crown Moulding

Item No.	Width	Height	Depth
ACM	96	3 ^{3/4}	1/2



Light Moulding Classic

Item No.	Width	Height	Depth
LMC	96	2	3/4



Light Moulding Shaker

Item No.	Width	Height	Depth
LMS	96	2	3/4



Waste Container (Single or Double)

Item No.

SINGLE: 4WCSC-1535DM-1-12

DOUBLE: 4WCSC-1835DM-2-16



Lazy Susan Insert Wood Banded

Item No.

LD-4BW-472-28-1-12



Valance

Item No.	Width	Height	Depth
VS36	36	5 1/2	3/4
VS48	48	5 1/2	3/4
VS60	60	5 1/2	3/4



Corbel

Item No.	Width	Height	Depth
CRBL	5	10	5 3/4



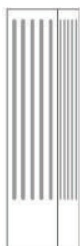
Corbel Shaker

Item No.	Width	Height	Depth
CRBL-SHAKER	5	10	5 3/4



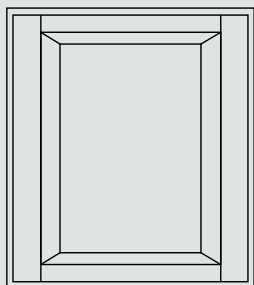
Spindle Leg

Item No.	Width	Height	Depth
SP4	4 3/4	42	4 3/4



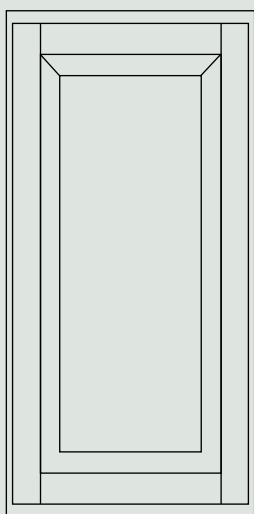
Fluted Square Post

Item No.	Width	Height	Depth
FSP3X3	3	34 1/2	3
FSP6X6	6	34 1/2	6



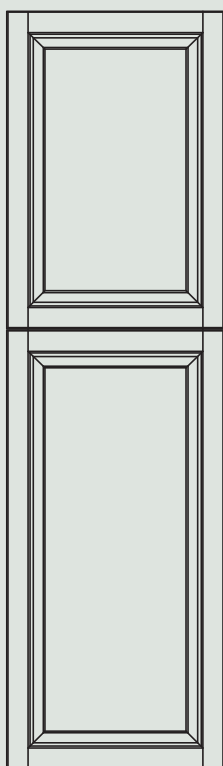
Base Decorative Panel

Item No.	Width	Height	Depth
BDP2430	23 5/8	29 3/4	3/4
BDP2530	24 5/8	29 3/4	3/4



Wall Decorative Panel

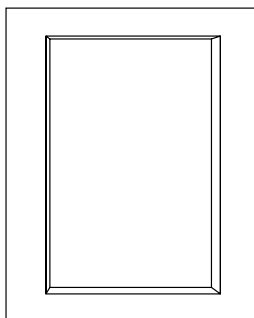
Item No.	Width	Height	Depth
WDP1230	11 5/8	29 3/4	3/4
WDP1330	12 5/8	29 3/4	3/4
WDP1236	11 5/8	35 3/4	3/4
WDP1336	12 5/8	35 3/4	3/4
WDP1242	11 5/8	41 3/4	3/4
WDP1342	12 5/8	41 3/4	3/4



Utility Deco Panel

Item No.	Width	Height	Depth
UCDP84	24 5/8	79 1/2	3/4
UCDP90	24 5/8	89 1/2	3/4
UCDP96	24 5/8	91 1/2	3/4

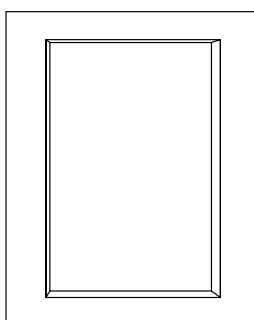
TOP DOOR HEIGHT
29 7/8, 35 7/8 AND 41 7/8 RESPECTIVELY



Doors Prepared for Glass

Item No.	Width	Height	Depth
GD1230	11 7/8	29 7/8	3/4
GD1530	14 7/8	29 7/8	3/4
GD1830	17 7/8	29 7/8	3/4
GD1236	11 7/8	35 7/8	3/4
GD1536	14 7/8	35 7/8	3/4
GD1836	17 7/8	35 7/8	3/4
GD1242	11 7/8	41 7/8	3/4
GD1542	14 7/8	41 7/8	3/4
GD1842	17 7/8	41 7/8	3/4

DOES NOT INCLUDE GLASS. PRICE INCLUDES A MATCHING FINISHED INTERIOR CABINET ACCORDING TO DOOR STYLE ORDERED. PLEASE SPECIFY CABINET SIZE NEEDED



Doors Prepared for Glass

Item No.	Width	Height	Depth
GDWAC243012	16	29 7/8	3/4
GDAWC243612	16	35 7/8	3/4
GDAWC244212	16	41 7/8	3/4
GDAWC273015	16 5/8	29 7/8	3/4
GDAWC273615	16 5/8	35 7/8	3/4
GDAWC274215	16 5/8	41 7/8	3/4

DOES NOT INCLUDE GLASS. PRICE INCLUDES A MATCHING FINISHED INTERIOR CABINET ACCORDING TO DOOR STYLE ORDERED. PLEASE SPECIFY CABINET SIZE NEEDED



Soft Close Hinge and Plate

Item No.	Width	Height	Depth
HINGE			



Soft Close Glides

Item No.	Width	Height	Depth
SCGFD			21
SCGVD			19



Touch-Up kit

Item No.	Width	Height	Depth
TOUCHUPK			

SAMPLES ORDER FORM

Date: _____ Ref: _____

Company Name: _____ Contact: _____

Telephone: _____ P.O.#: _____

Ship to: _____

American White



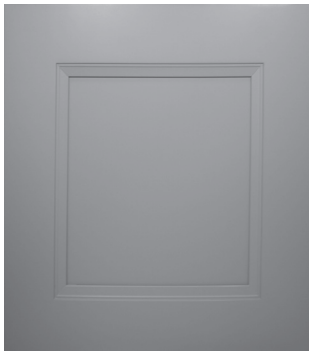
Smokey Gary



White Shaker



American Gray



White Vail



Gray Shaker



**ADORNUS COLLECTION LARGE DOORS
\$30 EACH**

- American White
- Smokey Gary
- White Shaker
- American Gray
- White Vail
- Gray Shaker