

**CABINETS
FROM US
TO YOU!**

**MORE
COLORS
MORE
DOORS
MORE
CHOICES**

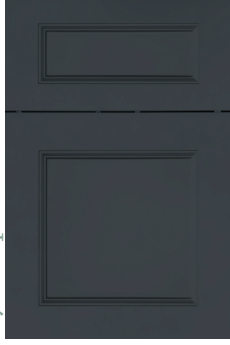
Starlight



Naval



Cyberspace



Perfect Greige



High Reflective White



Blue Breeze



Roycroft Bottle Green



Sea Salt



Light French Gray



Pure White



Graystone



Urban Bronze



Quitude



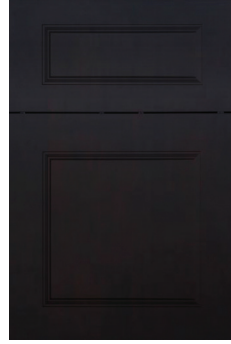
Mindful Gray



Alabaster



Kaffe



Iron Ore



Bracing Blue



Repose Gray



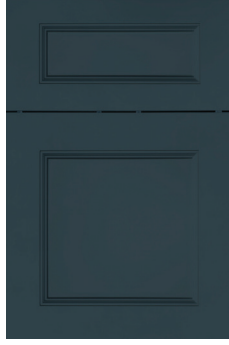
Antique White



Tricorn Black



Gale Force



Web Gray



Accessible Beige





CABINET CONSTRUCTION SPECIFICATIONS

Doors:

We use Select North American Hard Wood for our cabinetry. It's a handsome selection that has been widely used in the manufacturing of cabinetry for years, its versatility and durability makes it a timeless classic in our industry.

Box Material:

Our boxes are made of CARB Phase II certified plywood with wood veneer. There is no formaldehyde added in the process of making our plywood. The boxes are ¾" plywood for sides, bottom and top (wall cabinets), and reinforced with 3/8" plywood backing. Our cabinet boxes are the sturdiest boxes you will find in the industry.

Finish:

The Designer Series doors are multi-step finished with a two-part post-catalyzed conversion varnish. We use formaldehyde free, high performance conversion varnish that is heat resistant, chemical resistant, and has exceptional nonyellowing characteristics. Conversion varnish is more durable and has a higher elasticity, which allows it to hold up better through joint expansion as compared to traditional lacquer. The boxes go through a UV finishing process, which is durable, environmentally-friendly and free from formaldehyde and hazardous substances. This process is not only safe but also kinder to the environment at our production facilities.

Drawer boxes:

The drawer box for the Designer Series is constructed of solid wood with a clear finish and is joined with tight dovetails. All drawers come with a 3/8" plywood floor.

Shelving:

Two adjustable shelves come with every 30" and 36" high wall cabinet. Three adjustable shelves come with 42" high cabinets. One 15" deep, adjustable shelf comes with every top drawer base cabinet. Two 15" deep, adjustable shelves come with full height door base cabinets. Tall cabinets come with 21" deep shelves. Shelves are made of ¾" plywood and edgebanded on front and back.

Toe kicks:

We offer finished toekicks 96" x 4½" x ¼" for purchase separately.

Drawer Glides:

SALICE Under mounted, full extension, soft close.

Hinges:

SALICE 6-way adjustable, concealed, 110 degree soft closing hinges. Specialty cabinets such as lazy susans and angle wall cabinets are not available with soft closing system.

Finish Charges:

All standard paint finishes are offered at no additional charge. All standard stains will incur an overall additional 10% charge listed at the end of the final order.

Custom Sizing:

Wall Cabinets can be modified by one inch increments on width from 6 inches to 42 inches, and on height from 12 inches to 42 inches. For pricing, use next highest standard width and/or height. Wall cabinet depths can be reduced by 3 inch increments at no additional charge. Wall cabinet depth can be increased by 3 inch increments with a 10% additional charge per 3 inch increment. Wall Corner Easy Reach and Diagonal Corner Wall cabinets cannot be modified in width or depth.

Base Cabinets can be modified by one inch increments on width no less than the minimum standard size offered in that particular item and no more than the maximum standard size offered in that particular item. For pricing, use next highest standard width. Base Cabinets can be reduced in height to 28 ½ inches at no additional charge. Base Cabinets can be increased in height to 40 1/2 inches for a 10% additional charge. Base Cabinet depths can be reduced by 3 inch increments at no additional charge. Base cabinet depth

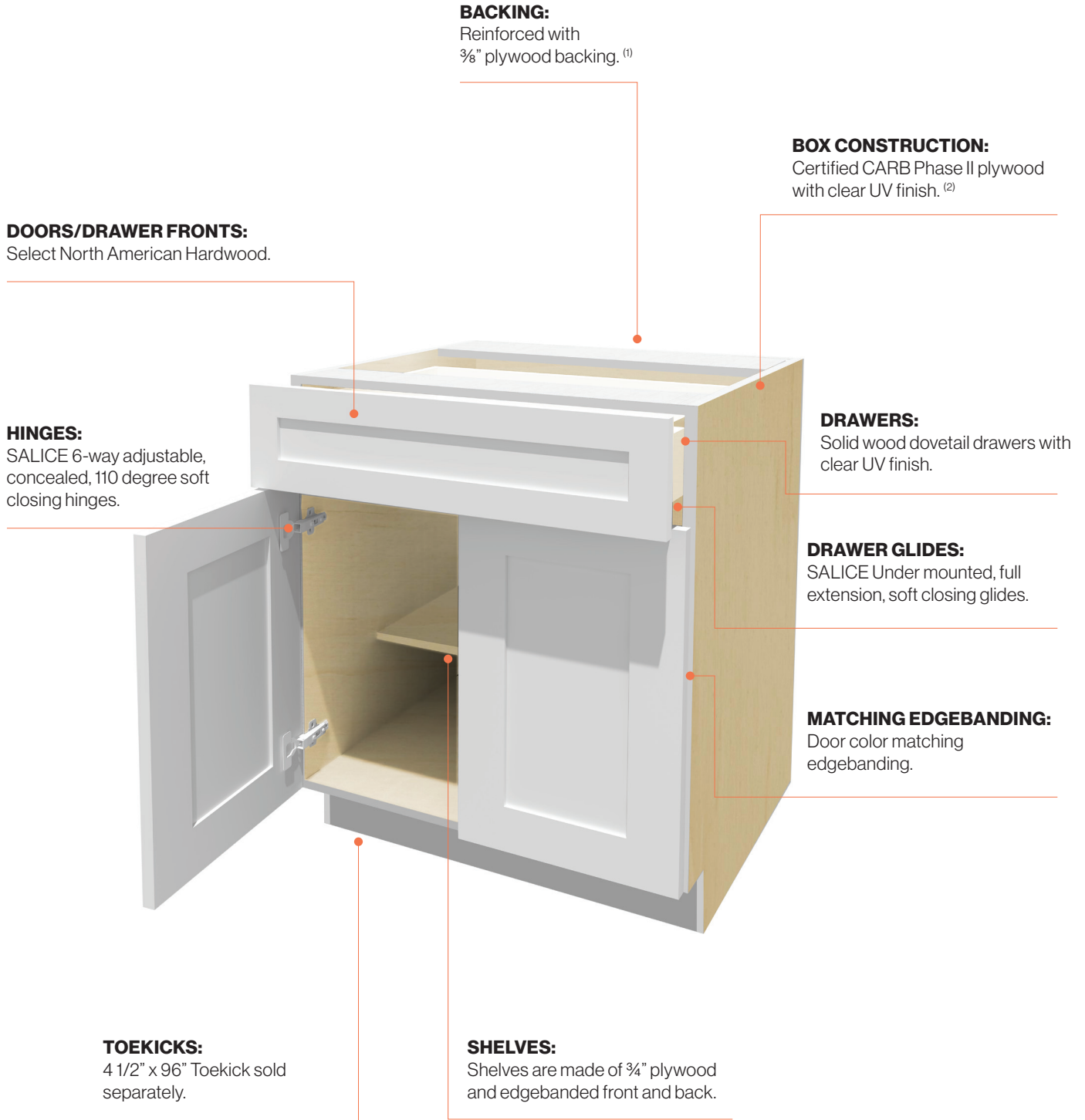
can be increased by 3 inch increments with a 10% additional charge per 3 inch increment. Angle Base, Diagonal Corner Sink, and Base Corner Easy Reach cabinets cannot be modified.

Tall Cabinets can be modified by one inch increments on width and height no less than the minimum standard size offered in that particular item and no more than the maximum standard size offered in that particular item. For pricing, use next highest standard width or height. Tall Cabinet depths can be reduced by 3 inch increments at no additional charge. Tall cabinet depth can be increased by 3 inch increments with a 10% additional charge per 3 inch increment.

Vanity Cabinets can be modified by one inch increments on width no less than the minimum standard size offered in that particular item and no more than the maximum standard size offered in that particular item. For pricing, use next highest standard width. Vanity Cabinets can be reduced in height to 28 ½ inches at no additional charge. Vanity Cabinets can be increased in height to 40 1/2 inches for a 10% additional charge. Vanity Cabinet depths can be reduced by 3 inch increments at no additional charge. Vanity cabinet depth can be increased by 3 inch increments with a 10% additional charge per 3 inch increment.

411 designer series

● Cabinet Construction At a Glance

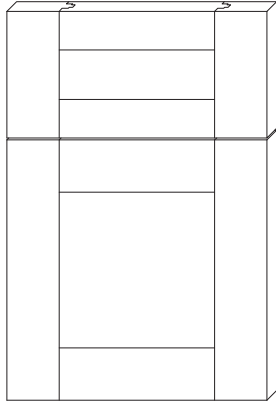


⁽¹⁾ 3/8" Backing with two (2) 3/4" Top and Bottom nailers.

⁽²⁾ Please specify the end cabinets in order form to color match.

Door Specifications

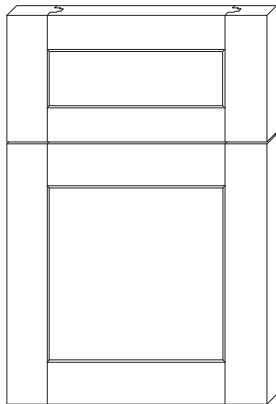
Hampton



Door Construction:	Mortise and Tenon
Door Frame:	3" Stiles & Rails
Door Panel:	Recessed Panel
Glass Prep:	Available
Minimum Door Width:	6"
Minimum Door Height:	6"
Price Group:	Group A
Drawer Front:	5 Piece Hampton



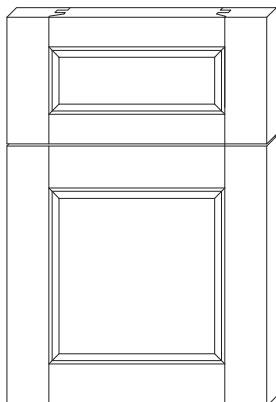
Quincy



Door Construction:	Mortise and Tenon
Door Frame:	3" Stiles & Rails
Door Panel:	Recessed Panel
Glass Prep:	Available
Minimum Door Width:	6"
Minimum Door Height:	6"
Price Group:	Group A
Drawer Front:	5 Piece Quincy



Vail

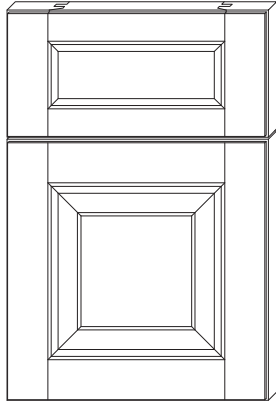


Door Construction:	Mortise and Tenon
Door Frame:	3" Stiles & Rails
Door Panel:	Recessed Panel
Glass Prep:	Available
Minimum Door Width:	6"
Minimum Door Height:	6"
Price Group:	Group A
Drawer Front:	5 Piece Vail



Door Specifications

Aspen

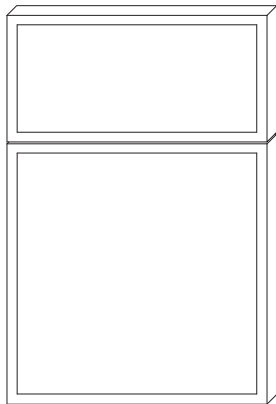


Door Construction:	Mortise and Tenon
Door Frame:	3" Stiles & Rails
Door Panel:	Raised Panel
Glass Prep:	Available
Minimum Door Width:	6"
Minimum Door Height:	6"
Price Group:	Group A
Drawer Front:	5 Piece Aspen

*Flat panel on top drawer

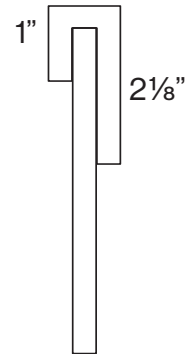


Fresno

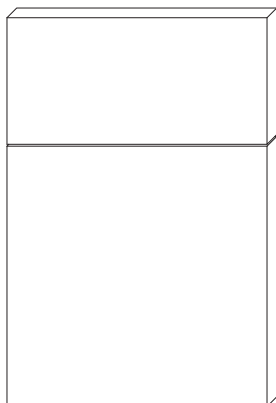


Door Construction:	Mortise and Tenon
Door Frame:	1" Stiles & Rails on front
Door Panel:	Recessed Panel
Minimum Door Width:	6"
Minimum Door Height:	6"
Price Group:	Group A
Drawer Front:	5 Piece Fresno

*Available in Paint Only. MDF Door and Drawer.



Manhattan

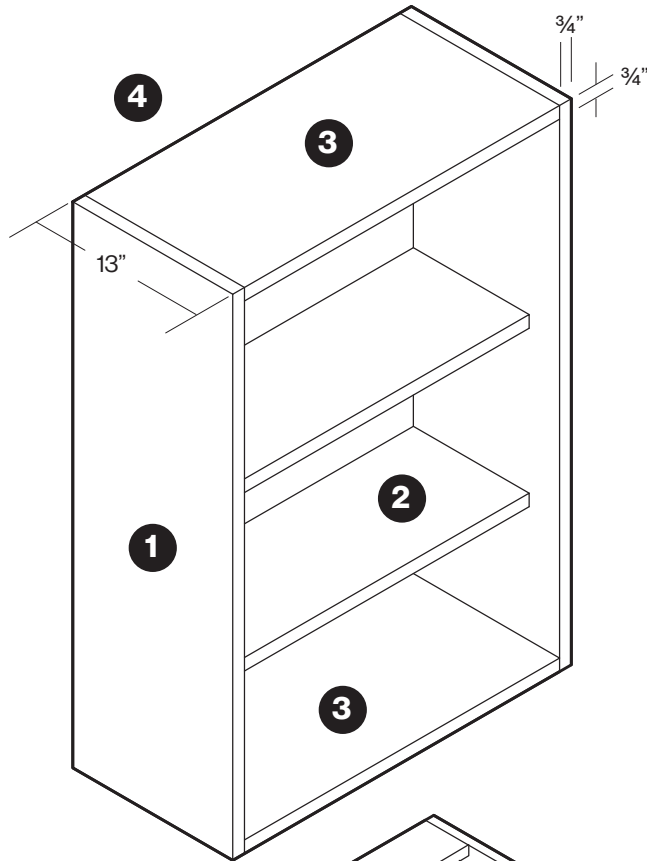


Door Construction:	N/A
Door Frame:	N/A
Door Panel:	N/A
Minimum Door Width:	6"
Minimum Door Height:	6"
Price Group:	Group A
Drawer Front:	Slab

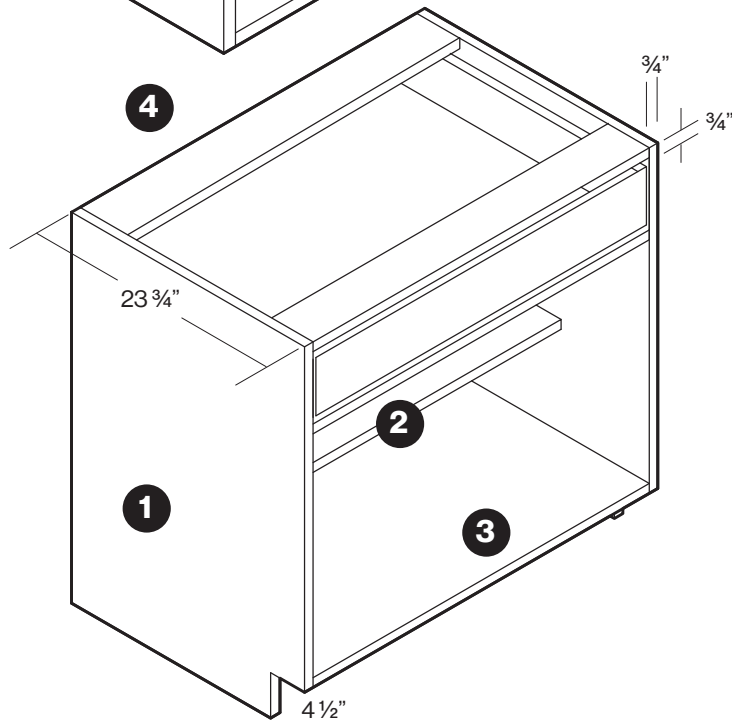
*Available in Paint Only. MDF Door and Drawer.



Full Access Cabinet Specifications

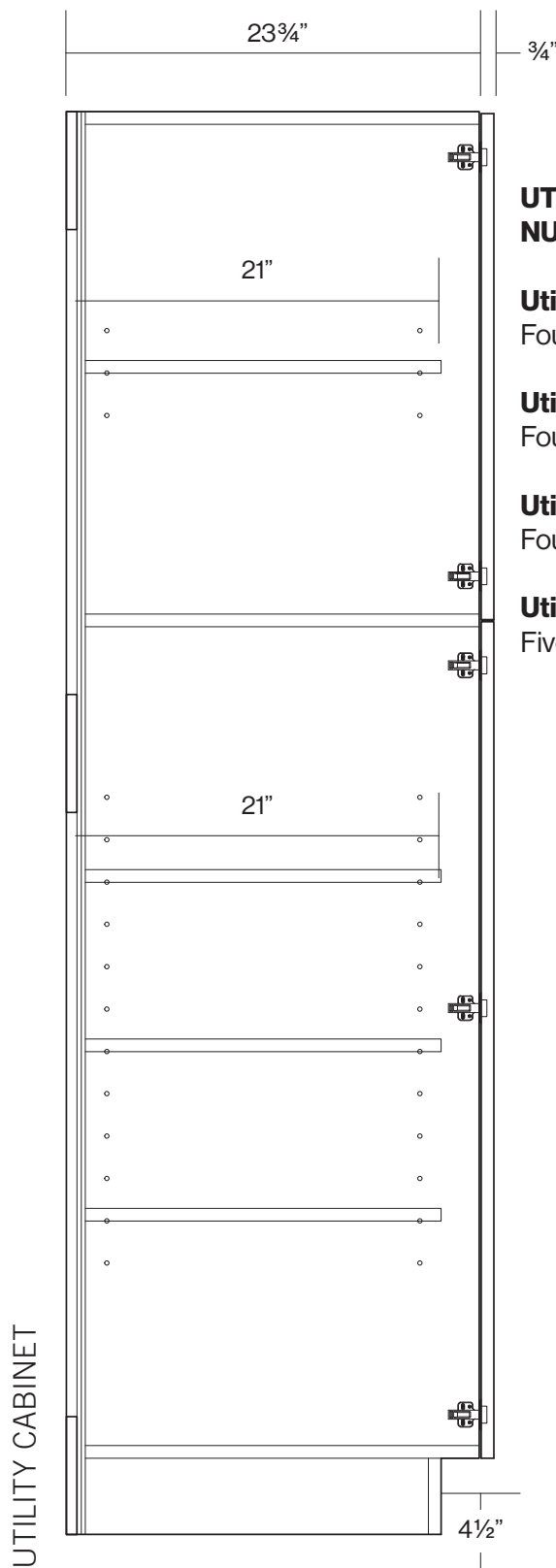


- 1** 3/4" Sides
- 2** 3/4" Adjustable Shelves
- 3** 3/4" Top and Bottom
- 4** 3/8" Plywood Back with 3/4" top and bottom nailers



- 1** 3/4" Sides
- 2** 3/4" Adjustable Shelves
- 3** 3/4" Bottom
- 4** 3/8" Plywood Back with 3/4" top and bottom nailers

Full Access Tall, Wall and Base Cabinet Specifications



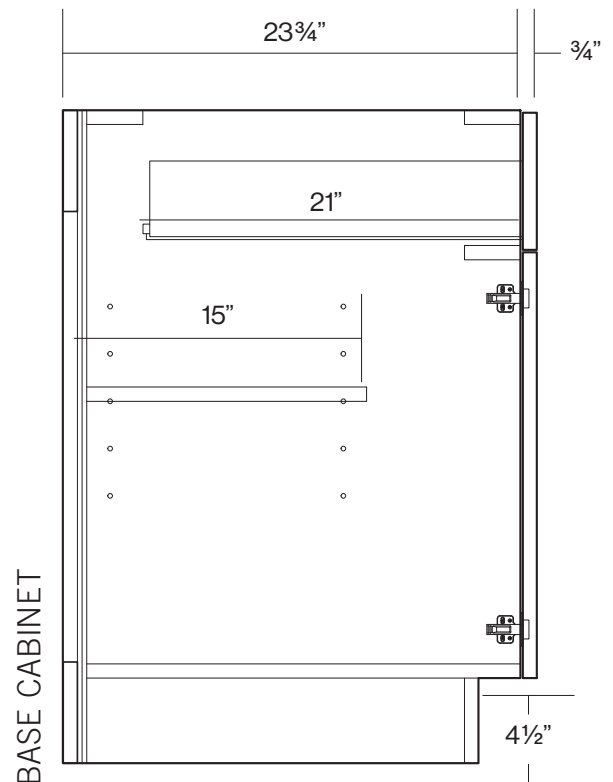
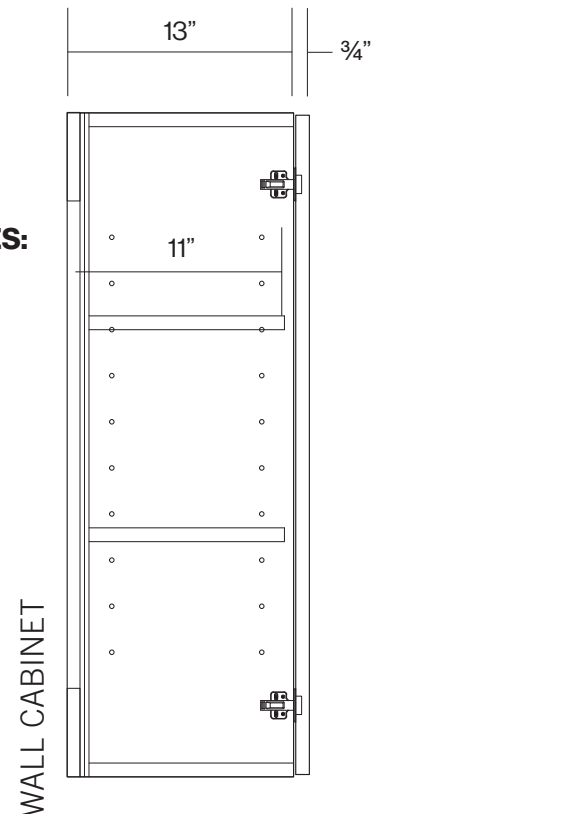
**UTILITY CABINET
NUMBER OF SHELVES:**

Utility 84":
Four Shelves

Utility 90":
Four Shelves

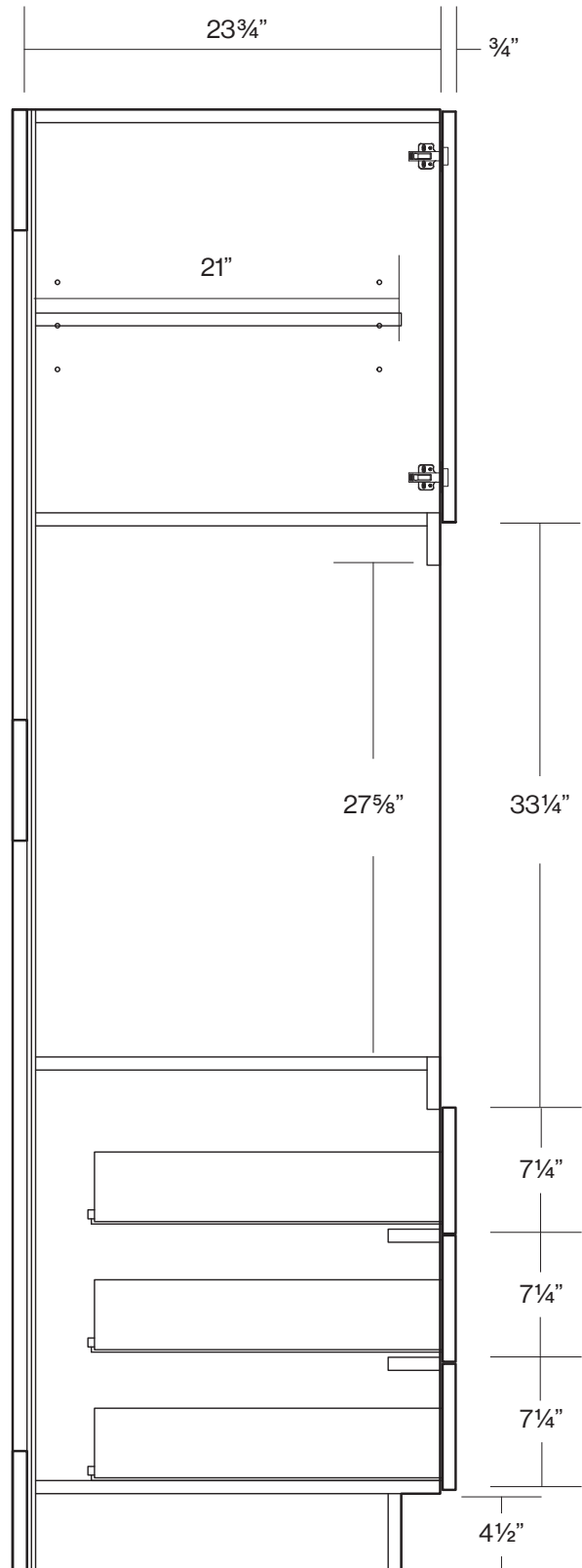
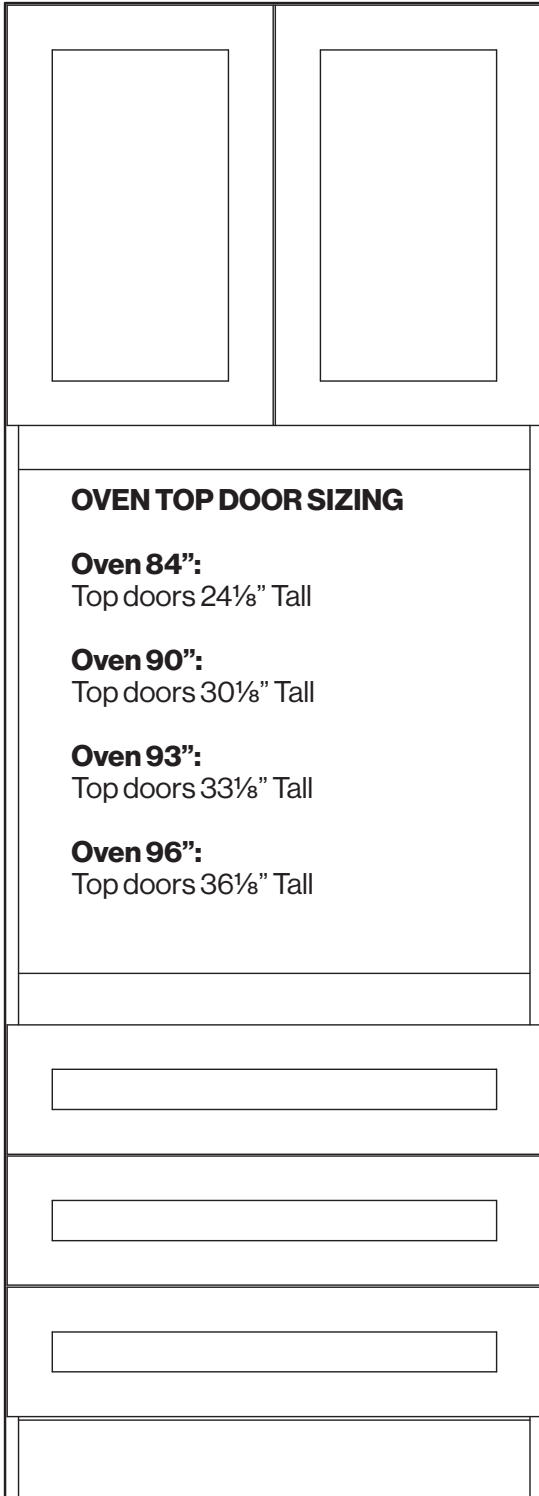
Utility 93":
Four Shelves

Utility 96":
Five Shelves



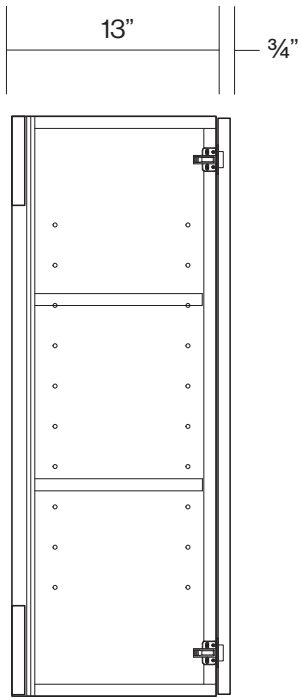
Full Access Oven Cabinet Specifications

OVEN CABINET



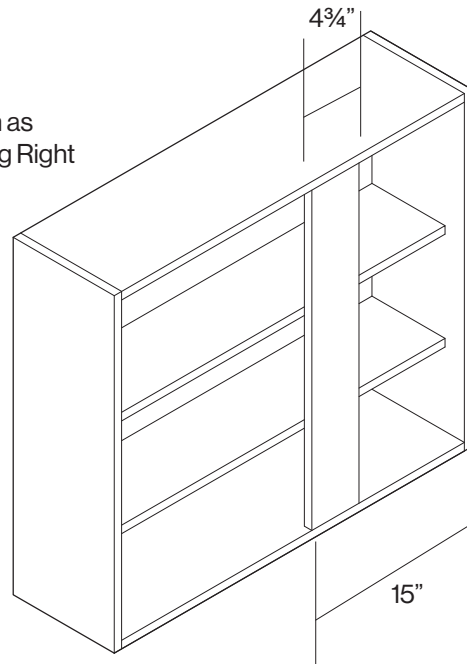
Full Access Blind Corner Cabinet Specifications

WALL BLIND CORNER

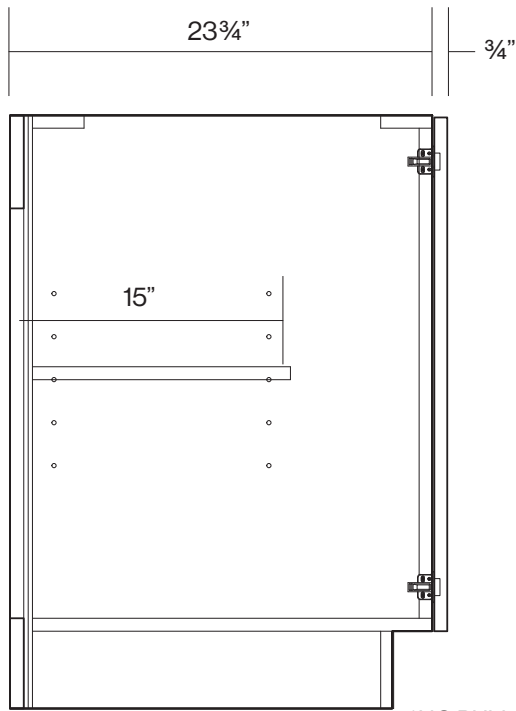


*NO PULL REQUIRED

Shown as
Door Swing Right

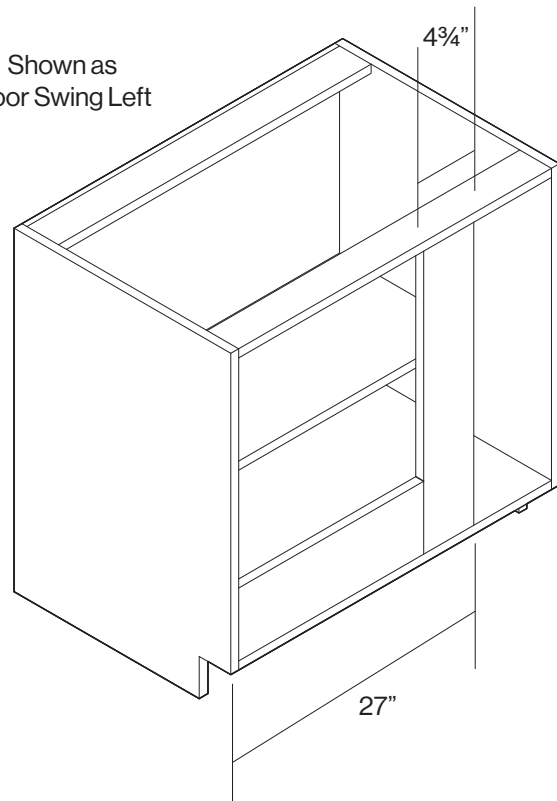


BASE BLIND CORNER



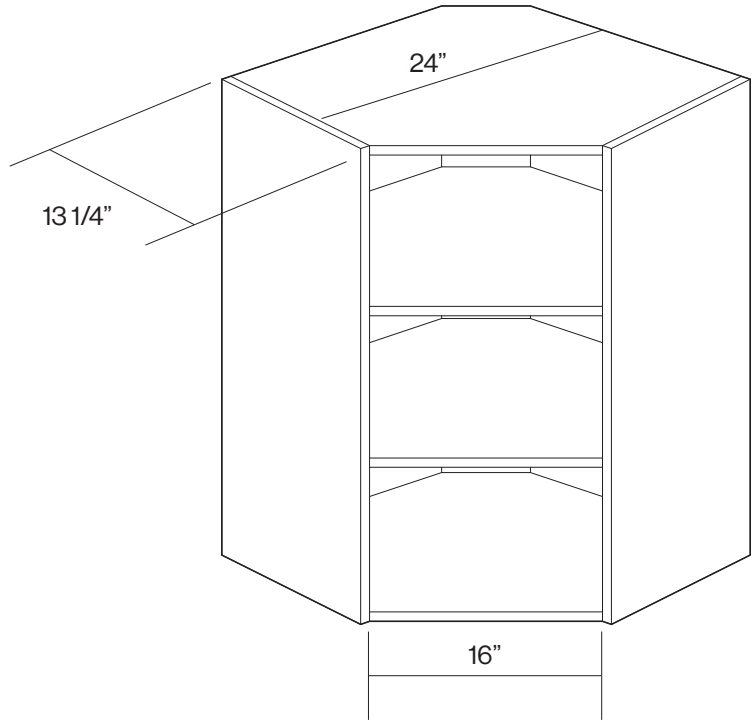
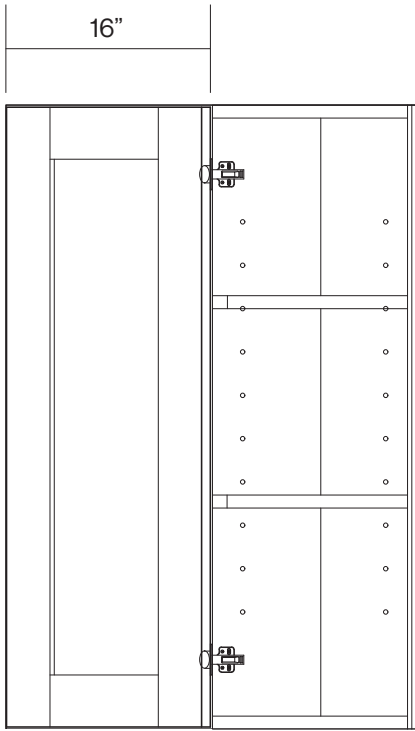
*NO PULL REQUIRED

Shown as
Door Swing Left

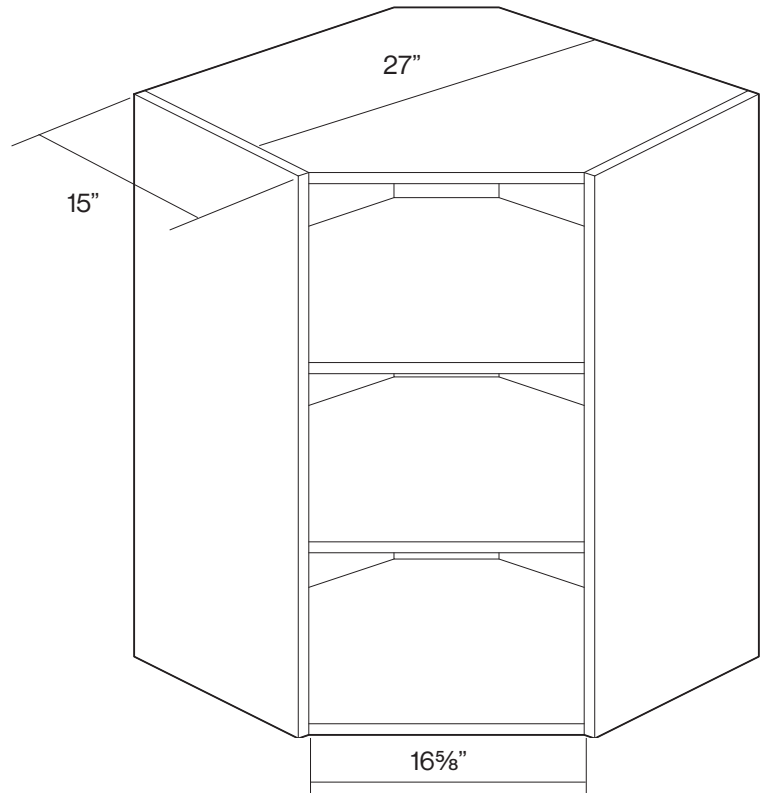
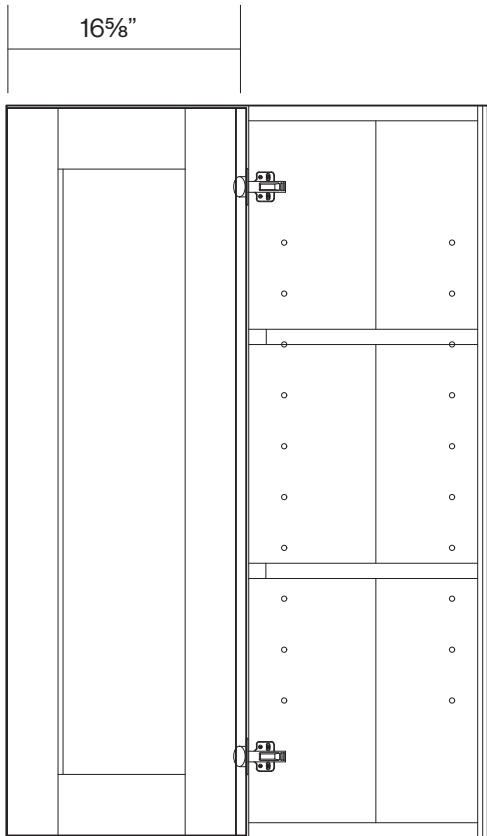


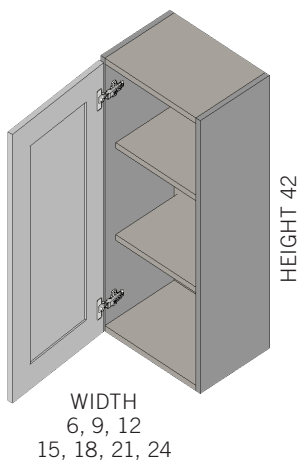
Full Access Angle Cabinet Specifications

WALL ANGLE CABINET 24"



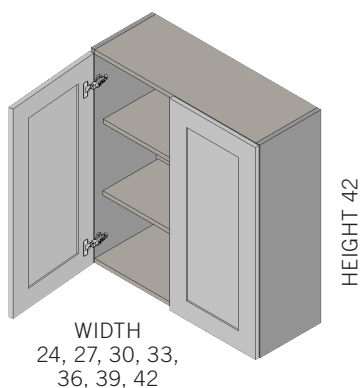
WALL ANGLE CABINET 27"





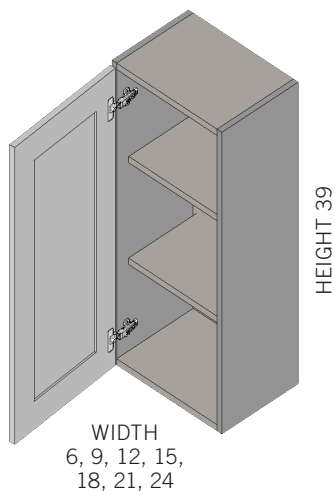
Wall Cabinet 42” High Single Door

Item No.	Width	Height	Depth	Shelves
W0642	6	42	13	3
W0942	9	42	13	3
W1242	12	42	13	3
W1542	15	42	13	3
W1842	18	42	13	3
W2142	21	42	13	3



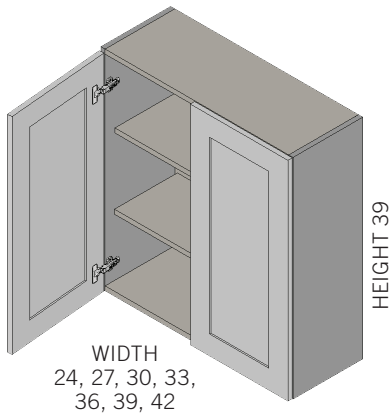
Wall Cabinet 42” High Double Door

Item No.	Width	Height	Depth	Shelves
W2442-2	24	42	13	3
W2742	27	42	13	3
W3042	30	42	13	3
W3342	33	42	13	3
W3642	36	42	13	3
W3942	39	42	13	3
W4242	42	42	13	3



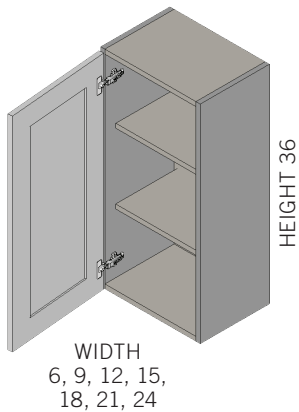
Wall Cabinet 39” High Single Door

Item No.	Width	Height	Depth	Shelves
W0639	6	39	13	3
W0939	9	39	13	3
W1239	12	39	13	3
W1539	15	39	13	3
W1839	18	39	13	3
W2139	21	39	13	3



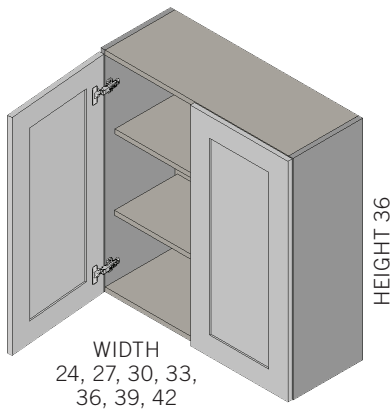
Wall Cabinet 39" High Double Door

Item No.	Width	Height	Depth	Shelves
W2439-2	24	39	13	3
W2739	27	39	13	3
W3039	30	39	13	3
W3339	33	39	13	3
W3639	36	39	13	3
W3939	39	39	13	3
W4239	42	39	13	3



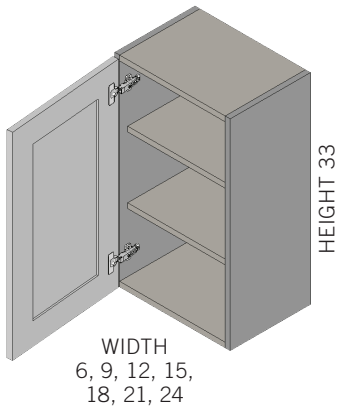
Wall Cabinet 36" High Single Door

Item No.	Width	Height	Depth	Shelves
W0636	6	36	13	2
W0936	9	36	13	2
W1236	12	36	13	2
W1536	15	36	13	2
W1836	18	36	13	2
W2136	21	36	13	2



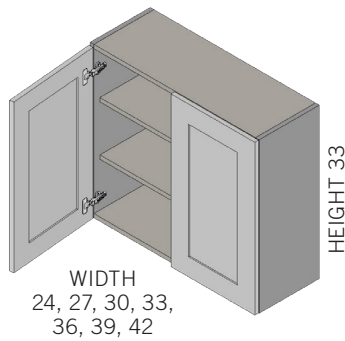
Wall Cabinet 36" High Double Door

Item No.	Width	Height	Depth	Shelves
W2436-2	24	36	13	2
W2736	27	36	13	2
W3036	30	36	13	2
W3336	33	36	13	2
W3636	36	36	13	2
W3936	39	36	13	2
W4236	42	36	13	2



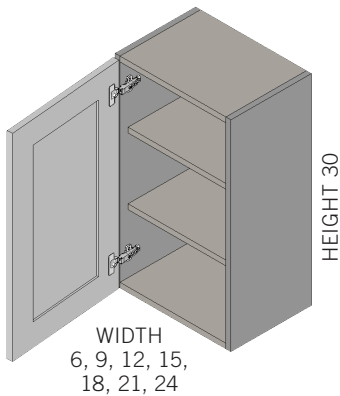
Wall Cabinet 33" High Single Door

Item No.	Width	Height	Depth	Shelves
W0633	6	33	13	2
W0933	9	33	13	2
W1233	12	33	13	2
W1533	15	33	13	2
W1833	18	33	13	2
W2133	21	33	13	2



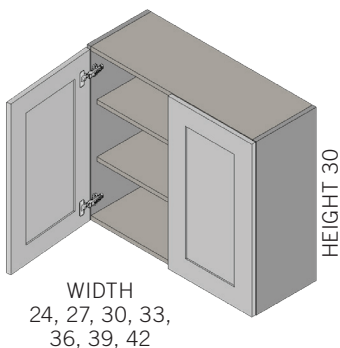
Wall Cabinet 33" High Double Door

Item No.	Width	Height	Depth	Shelves
W2433-2	24	33	13	2
W2733	27	33	13	2
W3033	30	33	13	2
W3333	33	33	13	2
W3633	36	33	13	2
W3933	39	33	13	2
W4233	42	33	13	2



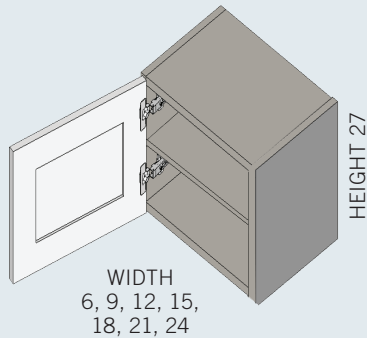
Wall Cabinet 30" High Single Door

Item No.	Width	Height	Depth	Shelves
W0630	6	30	13	2
W0930	9	30	13	2
W1230	12	30	13	2
W1530	15	30	13	2
W1830	18	30	13	2
W2130	21	30	13	2



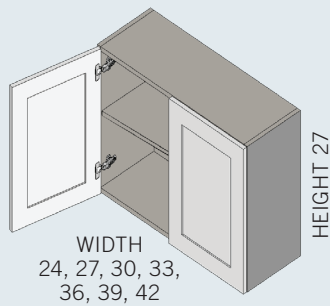
Wall Cabinet 30" High Double Door

Item No.	Width	Height	Depth	Shelves
W2430-2	24	30	13	2
W2730	27	30	13	2
W3030	30	30	13	2
W3330	33	30	13	2
W3630	36	30	13	2
W3930	39	30	13	2
W4230	42	30	13	2



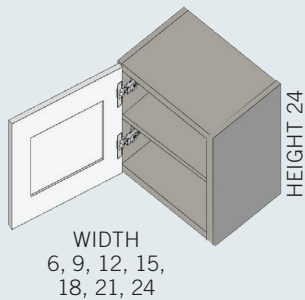
Wall Cabinet 27" High Single Door

Item No.	Width	Height	Depth	Shelves
W0627	6	27	13	1
W0927	9	27	13	1
W1227	12	27	13	1
W1527	15	27	13	1
W1827	18	27	13	1
W2127	21	27	13	1



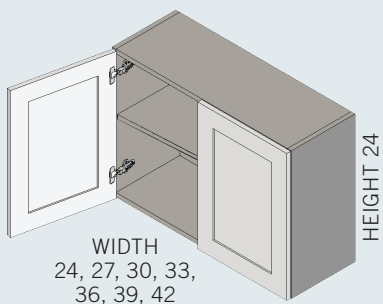
Wall Cabinet 27" High Double Door

Item No.	Width	Height	Depth	Shelves
W2427-2	24	27	13	1
W2727	27	27	13	1
W3027	30	27	13	1
W3327	33	27	13	1
W3627	36	27	13	1
W3927	39	27	13	1
W4227	42	27	13	1



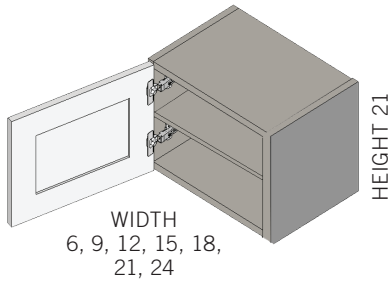
Wall Cabinet 24" High Single Door

Item No.	Width	Height	Depth	Shelves
W0624	6	24	13	1
W0924	9	24	13	1
W1224	12	24	13	1
W1524	15	24	13	1
W1824	18	24	13	1
W2124	21	24	13	1



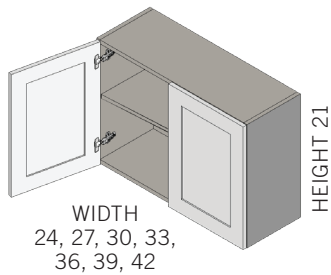
Wall Cabinet 24" High Double Door

Item No.	Width	Height	Depth	Shelves
W2424-2	24	24	13	1
W2724	27	24	13	1
W3024	30	24	13	1
W3324	33	24	13	1
W3624	36	24	13	1
W3924	39	24	13	1
W4224	42	24	13	1



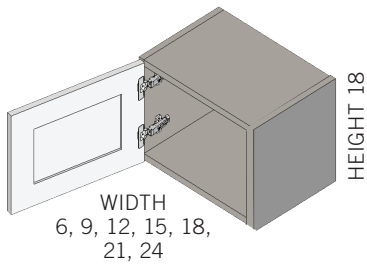
Wall Cabinet 21” High Single Door

Item No.	Width	Height	Depth	Shelves
W0621	6	21	13	1
W0921	9	21	13	1
W1221	12	21	13	1
W1521	15	21	13	1
W1821	18	21	13	1
W2121	21	21	13	1



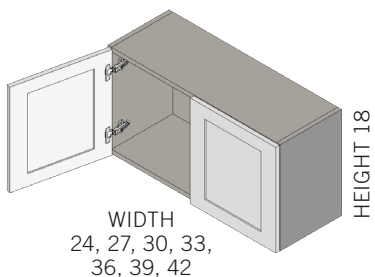
Wall Cabinet 21” High Double Door

Item No.	Width	Height	Depth	Shelves
W2421-2	24	21	13	1
W2721	27	21	13	1
W3021	30	21	13	1
W3321	33	21	13	1
W3621	36	21	13	1
W3921	39	21	13	1
W4221	42	21	13	1



Wall Cabinet 18” High Single Door

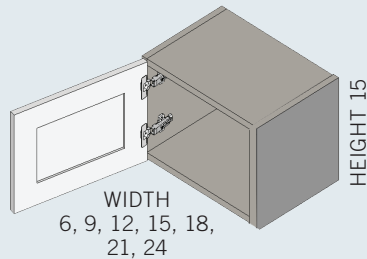
Item No.	Width	Height	Depth	Shelves
W0618	6	18	13	0
W0918	9	18	13	0
W1218	12	18	13	0
W1518	15	18	13	0
W1818	18	18	13	0
W2118	21	18	13	0



Wall Cabinet 18” High Double Door

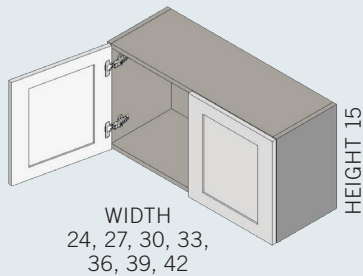
Item No.	Width	Height	Depth	Shelves
W2418-2	24	18	13	0
W2718	27	18	13	0
W3018	30	18	13	0
W3318	33	18	13	0
W3618	36	18	13	0
W3918	39	18	13	0
W4218	42	18	13	0

Wall Cabinet 15" High Single Door



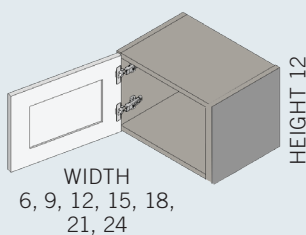
Item No.	Width	Height	Depth	Shelves
W0615	6	15	13	0
W0915	9	15	13	0
W1215	12	15	13	0
W1515	15	15	13	0
W1815	18	15	13	0
W2115	21	15	13	0

Wall Cabinet 15" High Double Door



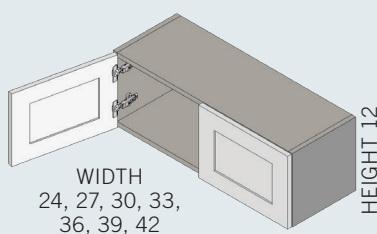
Item No.	Width	Height	Depth	Shelves
W2415-2	24	15	13	0
W2715	27	15	13	0
W3015	30	15	13	0
W3315	33	15	13	0
W3615	36	15	13	0
W3915	39	15	13	0
W4215	42	15	13	0

Wall Cabinet 12" High Single Door



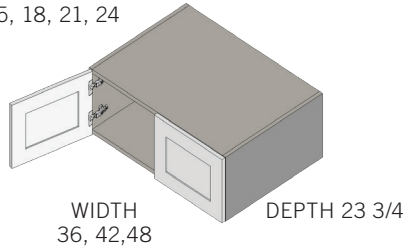
Item No.	Width	Height	Depth	Shelves
W0612	6	12	13	0
W0912	9	12	13	0
W1212	12	12	13	0
W1512	15	12	13	0
W1812	18	12	13	0
W2112	21	12	13	0

Wall Cabinet 12" High Double Door



Item No.	Width	Height	Depth	Shelves
W2412-2	24	12	13	0
W2712	27	12	13	0
W3012	30	12	13	0
W3312	33	12	13	0
W3612	36	12	13	0
W3912	39	12	13	0
W4212	42	12	13	0

HEIGHT
12, 15, 18, 21, 24



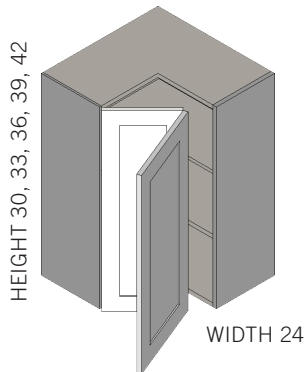
WIDTH
36, 42, 48

DEPTH 23 3/4

Wall Cabinet 24" Deep Refrigerator Wall

Item No.	Width	Height	Depth	Shelves
RW3612	36	12	23 3/4	0
RW4212	42	12	23 3/4	0
RW3615	36	15	23 3/4	0
RW4215	42	15	23 3/4	0
RW3618	36	18	23 3/4	0
RW4218	42	18	23 3/4	0
RW3621	36	21	23 3/4	1
RW4221	42	21	23 3/4	1
RW3624	36	24	23 3/4	1
RW4224	42	24	23 3/4	1
RW4824	48	24	23 3/4	1

DOOR SIZES
11 1/8 EACH

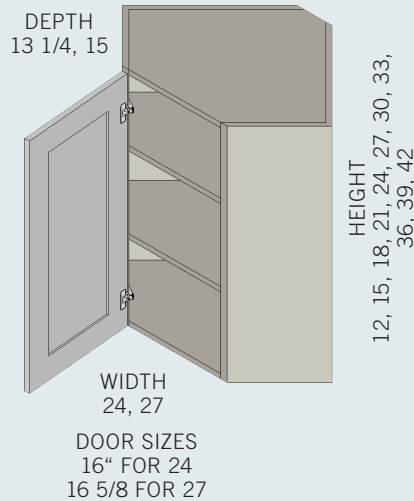


HEIGHT 30, 33, 36, 39, 42

WIDTH 24

Wall Easy Reach

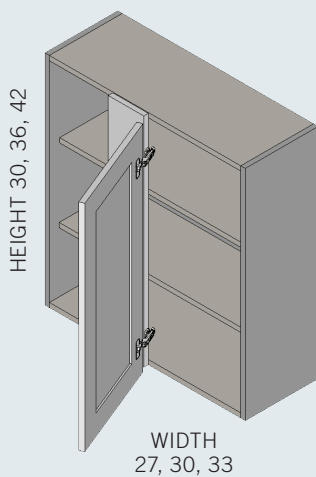
Item No.	Width	Height	Depth	Shelves
WEZR2430	24	30	13	2
WEZR2433	24	33	13	2
WEZR2436	24	36	13	2
WEZR2439	24	39	13	3
WEZR2442	24	42	13	3



The AW box is designed to protrude 1/4" for proper door alignment to adjacent cabinets

Angle Wall Cabinet

Item No.	Width	Height	Depth	Shelves
AWC2412	24	12	13 1/4	0
AWC2415	24	15	13 1/4	0
AWC2418	24	18	13 1/4	0
AWC2421	24	21	13 1/4	1
AWC2424	24	24	13 1/4	1
AWC2427	24	27	13 1/4	1
AWC2430	24	30	13 1/4	2
AWC2436	24	36	13 1/4	2
AWC2439	24	39	13 1/4	3
AWC2442	24	42	13 1/4	3
AWC2712-15	27	12	15	0
AWC2715-15	27	15	15	0
AWC2718-15	27	18	15	0
AWC2721-15	27	21	15	1
AWC2724-15	27	24	15	1
AWC2727-15	27	27	15	1
AWC2730-15	27	30	15	2
AWC2736-15	27	36	15	2
AWC2739-15	27	39	15	3
AWC2742-15	27	42	15	3



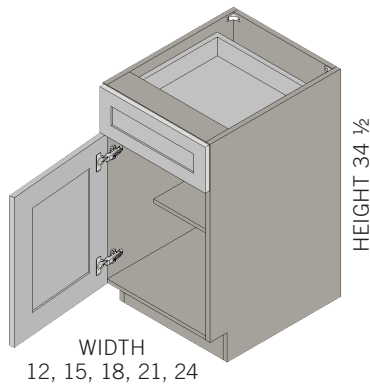
Right or Left

SHOWN AS LEFT DOOR SWING

Door sizes are 14^{7/8}, 17^{7/8} and 20^{7/8} Respectively

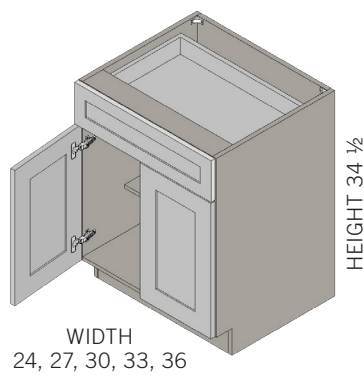
Wall Blind Corner

Item No.	Width	Height	Depth	Shelves
WBC2730	27	30	13	2
WBC3030	30	30	13	2
WBC3330	33	30	13	2
WBC2736	27	36	13	2
WBC3036	30	36	13	2
WBC3336	33	36	13	2
WBC2742	27	42	13	3
WBC3042	30	42	13	3
WBC3342	33	42	13	3



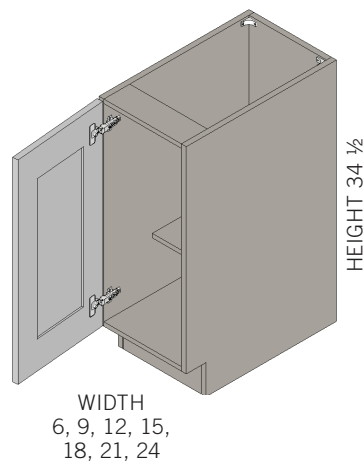
Base Cabinet Single Door - Single Drawer

Item No.	Width	Height	Depth	Shelves
B12	12	34-1/2	23 3/4	1
B15	15	34-1/2	23 3/4	1
B18	18	34-1/2	23 3/4	1
B21	21	34-1/2	23 3/4	1
B24-S	24	34-1/2	23 3/4	1



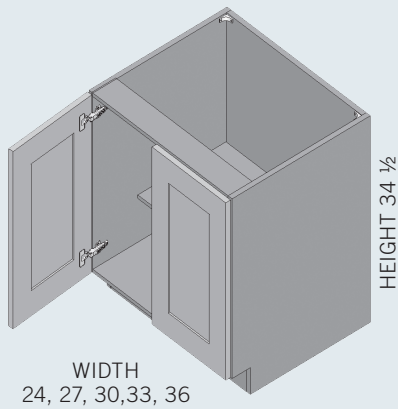
Base Cabinet Double Door - Single Drawer

Item No.	Width	Height	Depth	Shelves
B24-2	24	34-1/2	23 3/4	1
B27	27	34-1/2	23 3/4	1
B30	30	34-1/2	23 3/4	1
B33	33	34-1/2	23 3/4	1
B36	36	34-1/2	23 3/4	1



Base Cabinet Full Height Single Door

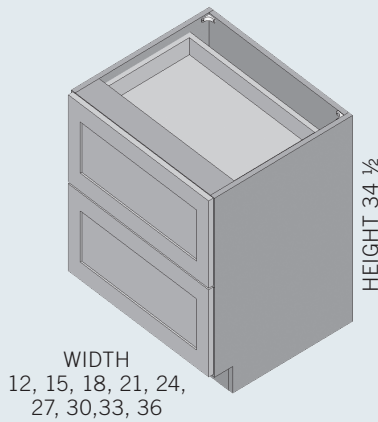
Item No.	Width	Height	Depth	Shelves
FH-B06	6	34-1/2	23 3/4	1
FH-B09	9	34-1/2	23 3/4	1
FH-B12	12	34-1/2	23 3/4	1
FH-B15	15	34-1/2	23 3/4	1
FH-B18	18	34-1/2	23 3/4	1
FH-B21	21	34-1/2	23 3/4	1
FH-B24-S	24	34-1/2	23 3/4	1



Base Cabinet Full Height Double Door

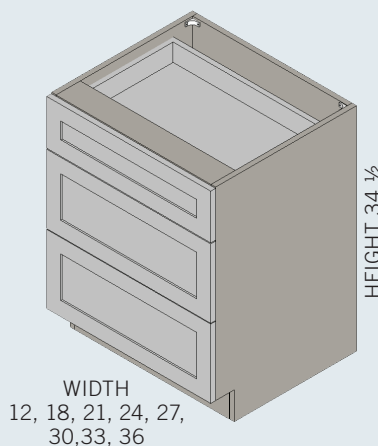
Item No.	Width	Height	Depth	Shelves
FH-B24-2	24	34-1/2	23 3/4	1
FH-B27	27	34-1/2	23 3/4	1
FH-B30	30	34-1/2	23 3/4	1
FH-B33	33	34-1/2	23 3/4	1
FH-B36	36	34-1/2	23 3/4	1

Two Drawer Base

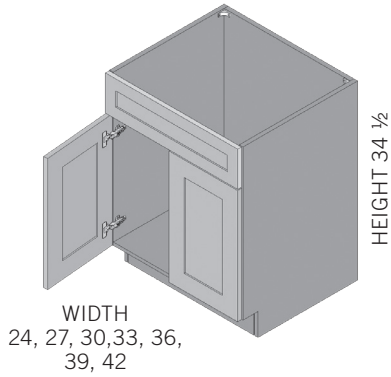


Item No.	Width	Height	Depth	Shelves
DB12-2	12	34-1/2	23 3/4	0
DB15-2	15	34-1/2	23 3/4	0
DB18-2	18	34-1/2	23 3/4	0
DB21-2	21	34-1/2	23 3/4	0
DB24-2	24	34-1/2	23 3/4	0
DB27-2	27	34-1/2	23 3/4	0
DB30-2	30	34-1/2	23 3/4	0
DB33-2	33	34-1/2	23 3/4	0
DB36-2	36	34-1/2	23 3/4	0

Three Drawer Base

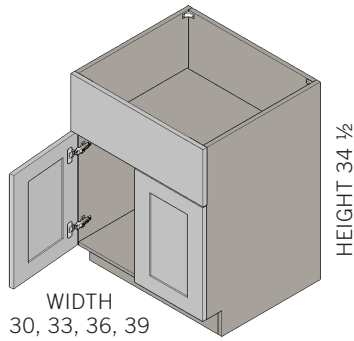


Item No.	Width	Height	Depth	Shelves
DB12-3	12	34-1/2	23 3/4	0
DB15-3	15	34-1/2	23 3/4	0
DB18-3	18	34-1/2	23 3/4	0
DB21-3	21	34-1/2	23 3/4	0
DB24-3	24	34-1/2	23 3/4	0
DB27-3	27	34-1/2	23 3/4	0
DB30-3	30	34-1/2	23 3/4	0
DB33-3	33	34-1/2	23 3/4	0
DB36-3	36	34-1/2	23 3/4	0



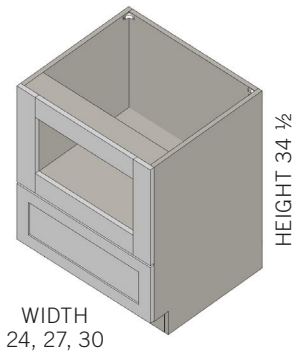
Sink Base

Item No.	Width	Height	Depth	Shelves
SB24-2	24	34-1/2	23 3/4	0
SB27	27	34-1/2	23 3/4	0
SB30	30	34-1/2	23 3/4	0
SB33	33	34-1/2	23 3/4	0
SB36	36	34-1/2	23 3/4	0
SB39	39	34-1/2	23 3/4	0
SB42	42	34-1/2	23 3/4	0



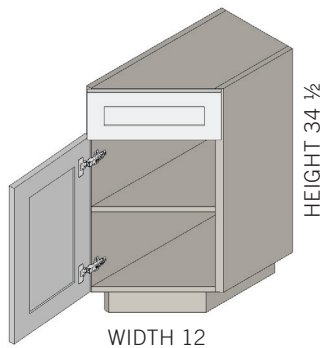
Farm Sink Bases

Item No.	Width	Height	Depth	Shelves
FSB30	30	34-1/2	23 3/4	0
FSB33	33	34-1/2	23 3/4	0
FSB36	36	34-1/2	23 3/4	0
FSB39	39	34-1/2	23 3/4	0



Microwave Base Cabinet

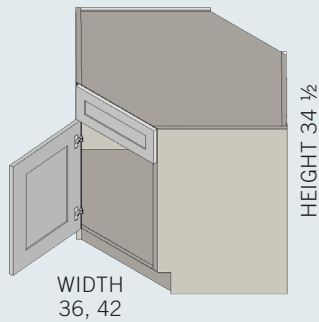
Item No.	Width	Height	Depth	Shelves
MWB24	24	34-1/2	23 3/4	0
MWB27	27	34-1/2	23 3/4	0
MWB30	30	34-1/2	23 3/4	0



Angle Base Cabinet

Item No.	Width	Height	Depth	Shelves
BEA12R	12	34-1/2	23 3/4	1
BEA12L	12	34-1/2	23 3/4	1

HINGES ALWAYS ON LONG SIDE



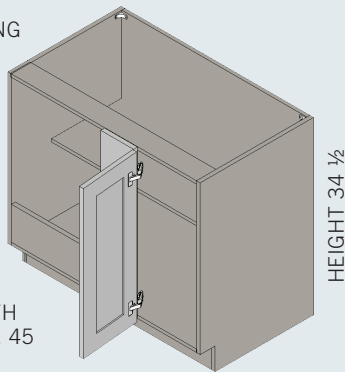
NUMBER OF DOORS
36" HAS ONE DOOR
42" HAS TWO DOORS

Angle Sink Base

Item No.	Width	Height	Depth	Shelves
ASB36	36	34-1/2	24	0
ASB42	42	34-1/2	24	0

The ASB box is designed to protrude 1/4"
For proper door alignment to adjacent cabinets

SHOWN
AS LEFT
DOOR SWING

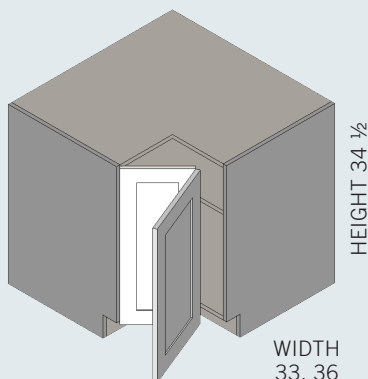


WIDTH
39, 42, 45

Base Blind Corner

Item No.	Width	Height	Depth	Shelves
BCB39-L	39	34-1/2	23 3/4	1
BCB39-R	39	34-1/2	23 3/4	1
BCB42-L	42	34-1/2	23 3/4	1
BCB42-R	42	34-1/2	23 3/4	1
BCB45-L	45	34-1/2	23 3/4	1
BCB45-R	45	34-1/2	23 3/4	1

Door sizes are 11^{7/8"}, 14^{7/8"} and 17^{7/8"} Respectively

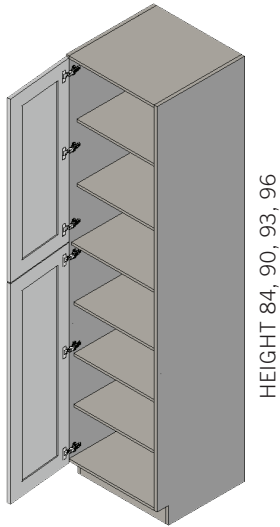


DOOR SIZES
33" DOORS ARE 8 1/8
36" ARE 11 1/8

Base Easy Reach

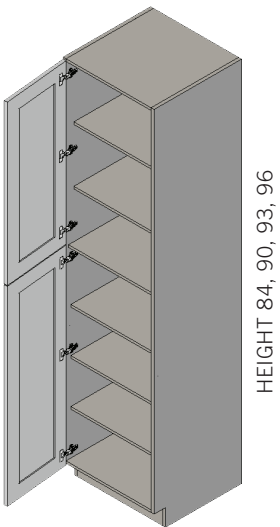
Item No.	Width	Height	Depth	Shelves
LS33	36	34-1/2	23 3/4	0
LS36	33	34-1/2	23 3/4	0

Lazy Susan Inserts Available. See Accessories Page



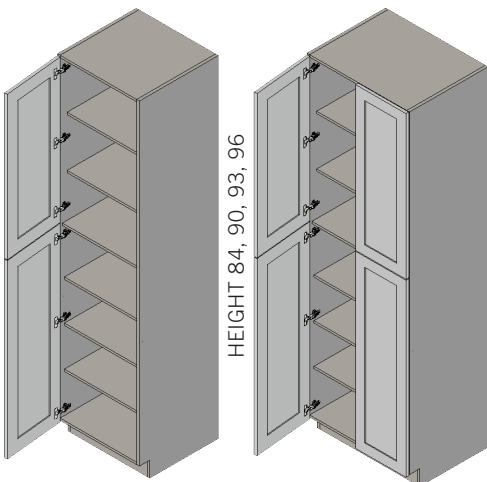
Utility Cabinet 12" Wide Single Door

Item No.	Width	Height	Depth	Shelves
UC1284	12	84	23 3/4	4
UC1290	12	90	23 3/4	4
UC1293	12	93	23 3/4	4
UC1296	12	96	23 3/4	5



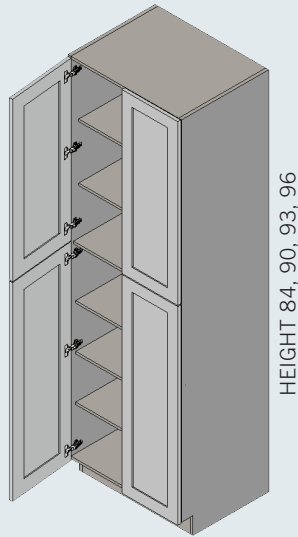
Utility Cabinet 18" Wide Single Door

Item No.	Width	Height	Depth	Shelves
UC1884	18	84	23 3/4	4
UC1890	18	90	23 3/4	4
UC1893	18	93	23 3/4	4
UC1896	18	96	23 3/4	5



Utility Cabinet 24" Wide Single or Double Door

Item No.	Width	Height	Depth	Shelves
UC2484-S	24	84	23 3/4	4
UC2490-S	24	90	23 3/4	4
UC2493-S	24	93	23 3/4	4
UC2496-S	24	96	23 3/4	5
UC2484-2	24	84	23 3/4	4
UC2490-2	24	90	23 3/4	4
UC2493-2	24	93	23 3/4	4
UC2496-2	24	96	23 3/4	5



HEIGHT 84, 90, 93, 96

Utility Cabinet 30" Wide Double Door

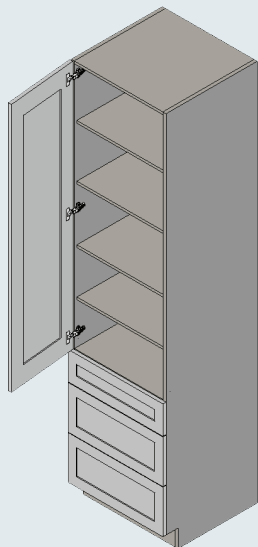
Item No.	Width	Height	Depth	Shelves
UC3084	30	84	23 3/4	4
UC3090	30	90	23 3/4	4
UC3093	30	93	23 3/4	4
UC3096	30	96	23 3/4	5



HEIGHT 84, 90, 93, 96

Utility Cabinet 36" Wide Double Door

Item No.	Width	Height	Depth	Shelves
UC3684	36	84	23 3/4	4
UC3690	36	90	23 3/4	4
UC3693	36	93	23 3/4	4
UC3696	36	96	23 3/4	5

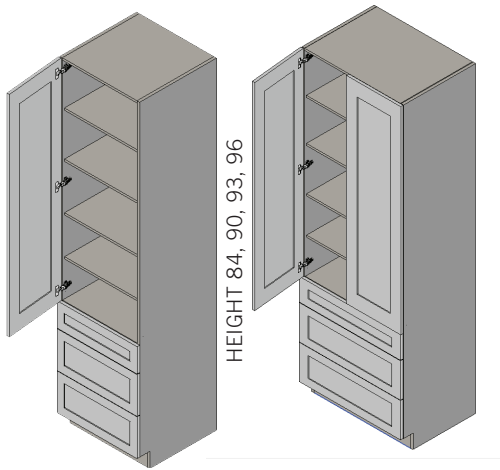


HEIGHT 84, 90, 93, 96

Utility Cabinet with Drawer Base 12" Wide

Item No.	Width	Height	Depth	Shelves
UTD1284	12	84	23 3/4	3
UTD1290	12	90	23 3/4	3
UTD1293	12	93	23 3/4	3
UTD1296	12	96	23 3/4	4

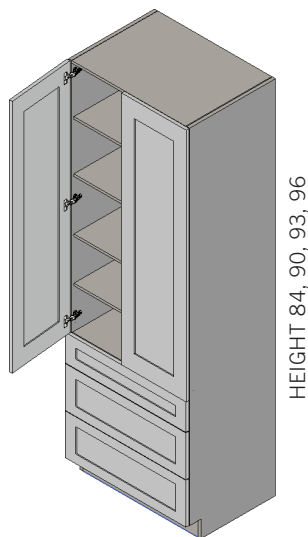
LINES UP WITH DB-3



Utility Cabinet with Drawer Base 24" Wide
Single or Double Door

Item No.	Width	Height	Depth	Shelves
UTD242484-S	24	84	23 3/4	3
UTD242490-S	24	90	23 3/4	3
UTD242493-S	24	93	23 3/4	3
UTD242496-S	24	96	23 3/4	4
UTD242484-2	24	84	23 3/4	3
UTD242490-2	24	90	23 3/4	3
UTD242493-2	24	93	23 3/4	3
UTD242496-2	24	96	23 3/4	4

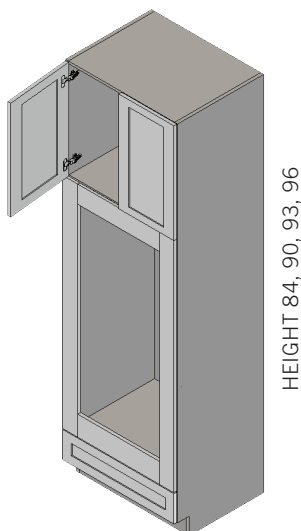
LINES UP WITH DB-3



Utility Cabinet with Drawer Base 36" Wide
Double Door

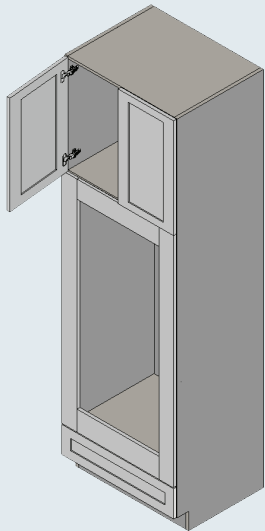
Item No.	Width	Height	Depth	Shelves
UTD362484	36	84	23 3/4	3
UTD362490	36	90	23 3/4	3
UTD362493	36	93	23 3/4	3
UTD362496	36	96	23 3/4	4

LINES UP WITH DB-3



Double Oven Cabinets 27" Wide

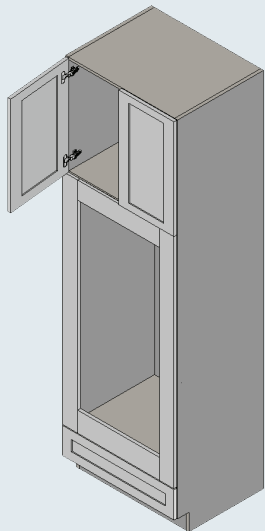
Item No.	Width	Height	Depth	Shelves
OCD2784	27	84	23 3/4	0
OCD2790	27	90	23 3/4	0
OCD2793	27	93	23 3/4	0
OCD2796	27	96	23 3/4	0



HEIGHT 84, 90, 93, 96

Double Oven Cabinets 30" Wide

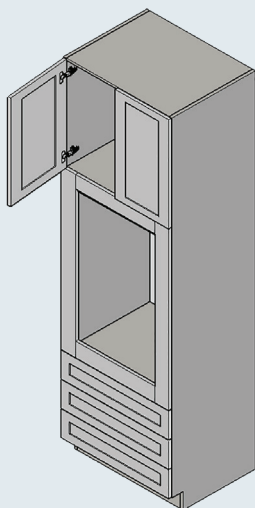
Item No.	Width	Height	Depth	Shelves
OCD3084	30	84	23 3/4	0
OCD3090	30	90	23 3/4	0
OCD3093	30	93	23 3/4	0
OCD3096	30	96	23 3/4	0



HEIGHT 84, 90, 93, 96

Double Oven Cabinets 33" Wide

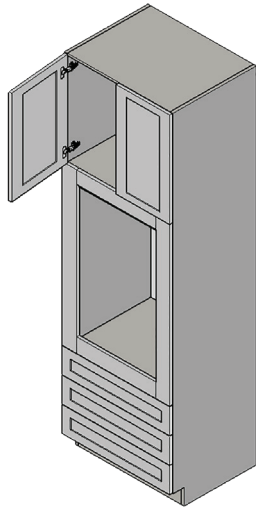
Item No.	Width	Height	Depth	Shelves
OCD3384	33	84	23 3/4	0
OCD3390	33	90	23 3/4	0
OCD3393	33	93	23 3/4	0
OCD3396	33	96	23 3/4	0



HEIGHT 84, 90, 93, 96

Oven Cabinets With Drawers 27" Wide

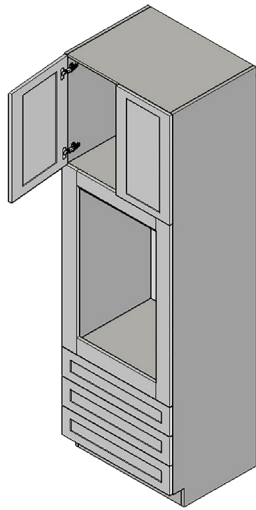
Item No.	Width	Height	Depth	Shelves
OC2784	27	84	23 3/4	0
OC2790	27	90	23 3/4	0
OC2793	27	93	23 3/4	0
OC2796	27	96	23 3/4	0



HEIGHT 84, 90, 93, 96

Oven Cabinets With Drawers 30" Wide

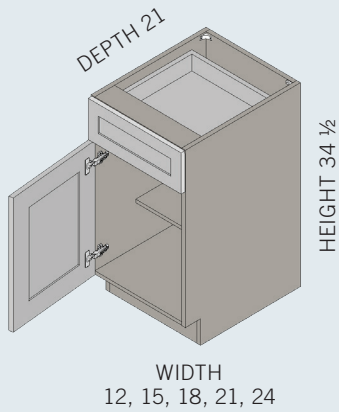
Item No.	Width	Height	Depth	Shelves
OC3084	30	84	23 3/4	0
OC3090	30	90	23 3/4	0
OC3093	30	93	23 3/4	0
OC3096	30	96	23 3/4	0



HEIGHT 84, 90, 93, 96

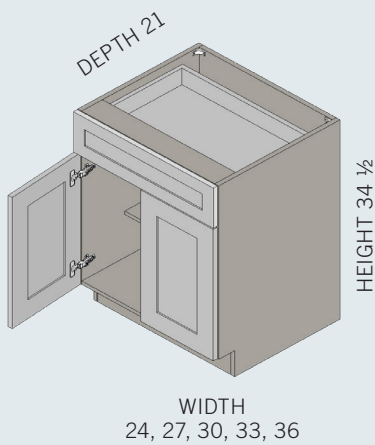
Oven Cabinets With Drawers 33" Wide

Item No.	Width	Height	Depth	Shelves
OC3384	33	84	23 3/4	0
OC3390	33	90	23 3/4	0
OC3393	33	93	23 3/4	0
OC3396	33	96	23 3/4	0



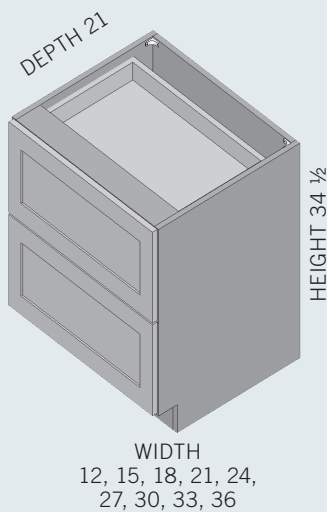
Vanity Base Cabinets Single Door

Item No.	Width	Height	Depth	Shelves
VB12	12	34-1/2	21	1
VB15	15	34-1/2	21	1
VB18	18	34-1/2	21	1
VB21	21	34-1/2	21	1
VB24-S	24	34-1/2	21	1



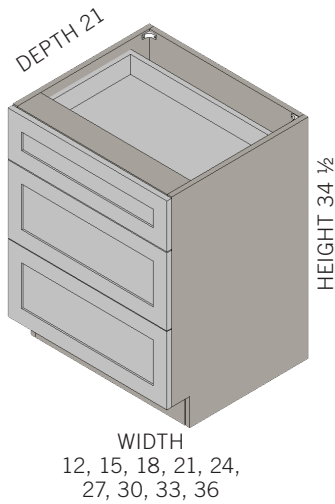
Vanity Base Cabinets Double Door

Item No.	Width	Height	Depth	Shelves
VB24-2	24	34-1/2	21	1
VB27	27	34-1/2	21	1
VB30	30	34-1/2	21	1
VB33	33	34-1/2	21	1
VB36	36	34-1/2	21	1



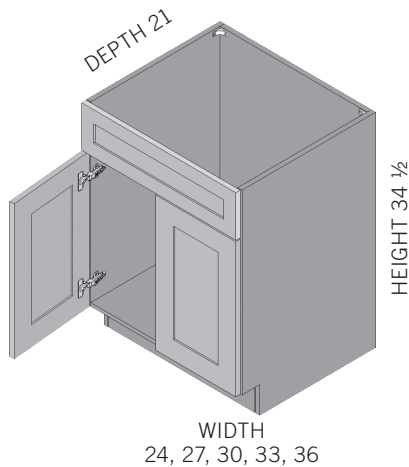
Vanity Two Drawer Base Cabinets

Item No.	Width	Height	Depth	Shelves
VDB12-2	12	34-1/2	21	0
VDB15-2	15	34-1/2	21	0
VDB18-2	18	34-1/2	21	0
VDB21-2	21	34-1/2	21	0
VDB24-2	24	34-1/2	21	0
VDB27-2	27	34-1/2	21	0
VDB30-2	30	34-1/2	21	0
VDB33-2	33	34-1/2	21	0
VDB36-2	36	34-1/2	21	0



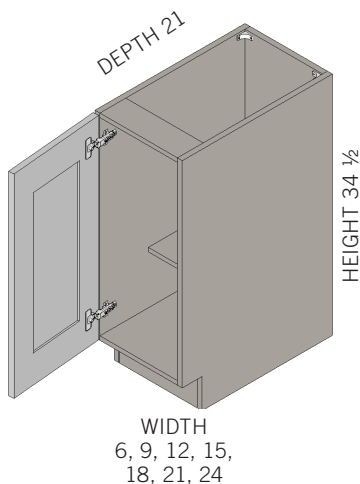
Vanity Three Drawer Base

Item No.	Width	Height	Depth	Shelves
VDB12-3	12	34-1/2	21	0
VDB15-3	15	34-1/2	21	0
VDB18-3	18	34-1/2	21	0
VDB21-3	21	34-1/2	21	0
VDB24-3	24	34-1/2	21	0
VDB27-3	27	34-1/2	21	0
VDB30-3	30	34-1/2	21	0
VDB33-3	33	34-1/2	21	0
VDB36-3	36	34-1/2	21	0



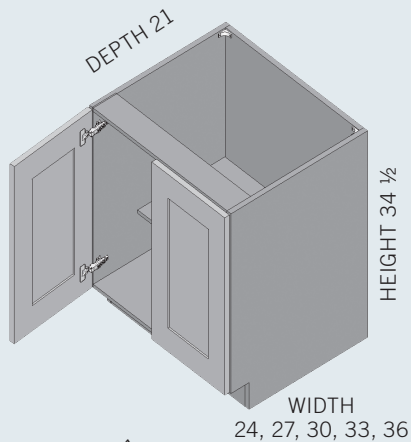
Vanity Sink Bases

Item No.	Width	Height	Depth	Shelves
VSB24-S	24	34-1/2	21	0
VSB24-2	24	34-1/2	21	0
VSB27	27	34-1/2	21	0
VSB30	30	34-1/2	21	0
VSB33	33	34-1/2	21	0
VSB36	36	34-1/2	21	0



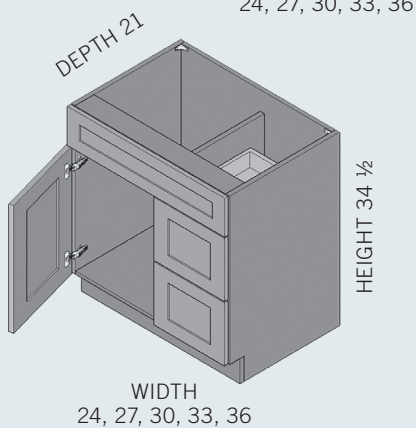
Vanity Base Full Height Single Door

Item No.	Width	Height	Depth	Shelves
FHVB06	6	34-1/2	21	1
FHVB09	9	34-1/2	21	1
FHVB12	12	34-1/2	21	1
FHVB15	15	34-1/2	21	1
FHVB18	18	34-1/2	21	1
FHVB21	21	34-1/2	21	1
FHVB24-S	24	34-1/2	21	1



Vanity Bases Full Height Door Double Door

Item No.	Width	Height	Depth	Shelves
FHVB24-2	24	34-1/2	21	1
FHVB27	27	34-1/2	21	1
FHVB30	30	34-1/2	21	1
FHVB33	33	34-1/2	21	1
FHVB36	36	34-1/2	21	1



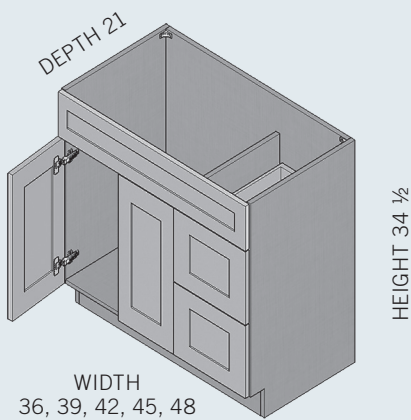
Combo Vanity Sink Bases Full Height Single Door Two Drawer (Fixed top drawer front)

Item No.	Width	Height	Depth	Shelves
CVSB24	24	34-1/2	21	0
CVSB27	27	34-1/2	21	0
CVSB30	30	34-1/2	21	0
CVSB33	33	34-1/2	21	0
CVSB36-S	36	34-1/2	21	0

As standard, drawers are 12" wide.

Please note in order right or left hinges and side of drawers

Shown as left side hinges.
Drawers right.



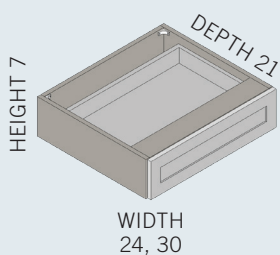
Combo Vanity Sink Bases Full Height Double Door Two Drawer (Fixed top drawer front)

Item No.	Width	Height	Depth	Shelves
CVSB36-2	36	34-1/2	21	0
CVSB39	39	34-1/2	21	0
CVSB42	42	34-1/2	21	0
CVSB45	45	34-1/2	21	0
CVSB48	48	34-1/2	21	0

As standard, drawers are 12" wide.

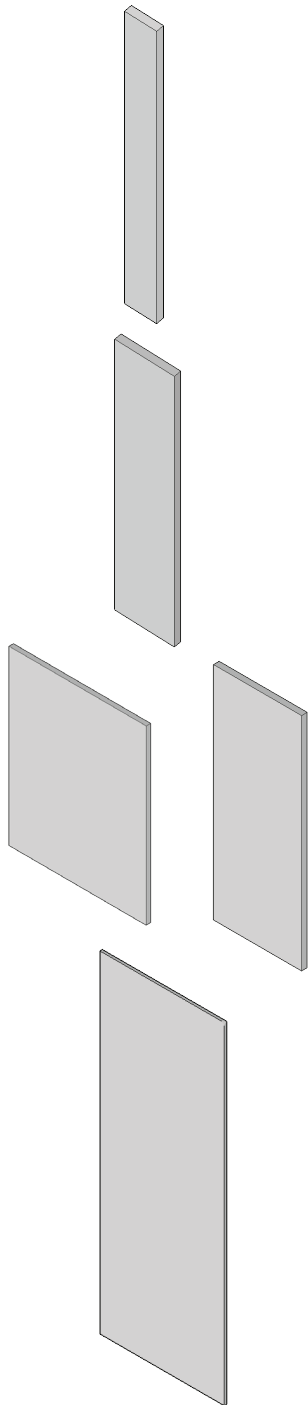
Please note in order side of drawers

Shown as Drawers right.



Vanity Knee Drawer

Item No.	Width	Height	Depth
VDK24	24	7	21
VDK30	30	7	21



Filler 3"

Item No.	Width	Height	Depth
F330	3	30	3/4
F336	3	36	3/4
F342	3	42	3/4
F396	3	96	3/4

Filler 6"

Item No.	Width	Height	Depth
F630	6	30	3/4
F636	6	36	3/4
F642	6	42	3/4
F696	6	96	3/4

End Panel

Item No.	Width	Height	Depth
BEP	3/4	34 ^{1/2}	26
WEP	3/4	42	14

Edgebanded on all sides.

Panel size (height & width) reductions at no additional charge. Please specify dimensions on order form.

Refrigerator Panel

Item No.	Width	Height	Depth
REP3696	36	96	3/4
REP36120	36	120	3/4

Edgebanded front and back

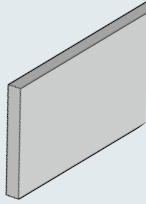
Panel size (height & width) reductions at no additional charge. Please specify dimensions on order form.

Finish Back Panel

Item No.	Width	Height	Depth
FBP4896	96	48	1/8

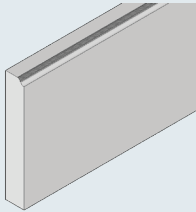
Sides not edgebanded

Panel size (height & width) reductions at no additional charge. Please specify dimensions on order form.



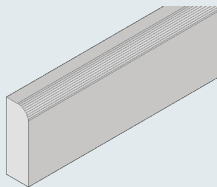
Toe Kick

Item No.	Width	Height	Depth
TK96	96	4 ^{1/2}	1/8



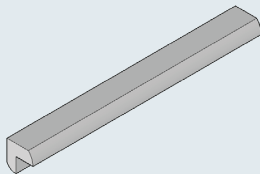
Decorative Base Moulding

Item No.	Width	Height	Depth
BM96	96	4 ^{1/2}	3/4



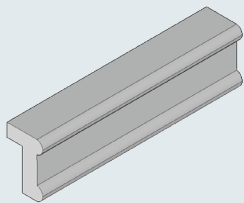
Scribe Moulding

Item No.	Width	Height	Depth
SM96	96	3/4	1/4



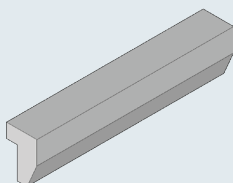
Outside Corner Moulding

Item No.	Width	Height	Depth
OCM	96	3/4	1/4



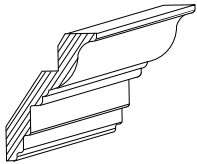
Light Moulding Classic

Item No.	Width	Height	Depth
LMC	96	2	3/4



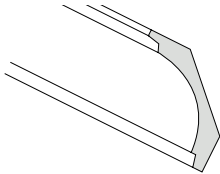
Light Moulding Shaker

Item No.	Width	Height	Depth
LMS	96	2	3/4



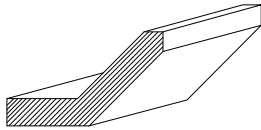
Classic Crown Moulding

Item No.	Width	Height	Depth
CCM	96	3 ^{3/4}	3/4



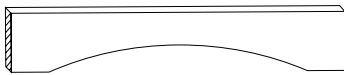
Classic Cove Moulding

Item No.	Width	Height	Depth
CVCM	96	3 ^{3/4}	3/4



Angle Crown Moulding

Item No.	Width	Height	Depth
ACM	96	3 ^{3/4}	1/2



Valance

Item No.	Width	Height	Depth
VS36	36	5 1/2	3/4
VS48	48	5 1/2	3/4
VS60	60	5 1/2	3/4



Corbel

Item No.	Width	Height	Depth
CRBL	5	10	5 3/4



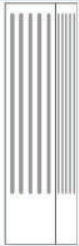
Corbel Shaker

Item No.	Width	Height	Depth
CRBL-SHAKER	5	10	5 3/4



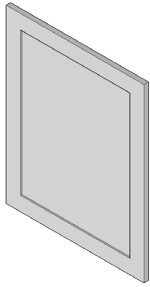
Spindle Leg

Item No.	Width	Height	Depth
SP4	4 3/4	42	4 3/4



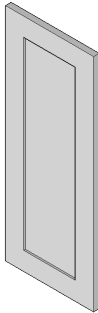
Fluted Square Post

Item No.	Width	Height	Depth
FSP3X3	3	34 1/2	3
FSP6X6	6	34 1/2	6



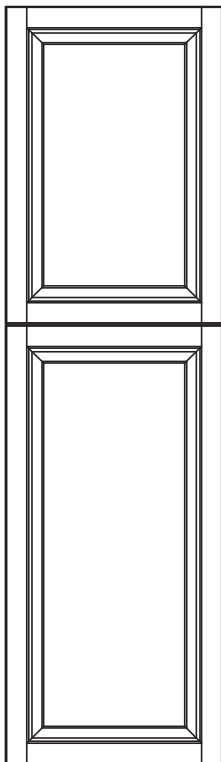
Base Decorative Panel

Item No.	Width	Height	Depth
BDP2430	23 5/8	29 3/4	3/4
BDP2530	24 5/8	29 3/4	3/4



Wall Decorative Panel

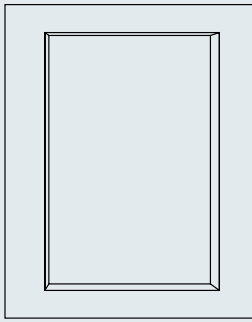
Item No.	Width	Height	Depth
WDP1330	13	29 3/4	3/4
WDP1430	13 7/8	29 3/4	3/4
WDP1336	13	35 3/4	3/4
WDP1436	13 7/8	35 3/4	3/4
WDP1342	13	41 3/4	3/4
WDP1442	13 7/8	41 3/4	3/4



Utility Deco Panel

Item No.	Width	Height	Depth
UCDP84	24 5/8	79 1/2	3/4
UCDP90	24 5/8	85 1/2	3/4
UCDP93	24 5/8	88 1/2	3/4
UCDP96	24 5/8	91 1/2	3/4

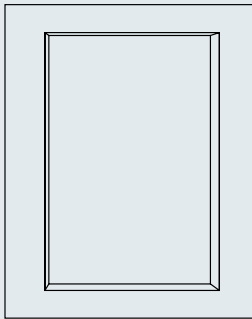
TOP DOOR HEIGHT
29 7/8, 35 7/8, 38 7/8 AND 41 7/8 RESPECTIVELY



Remove Hinge Prep

Item No.	Price
RHP	NO CHARGE

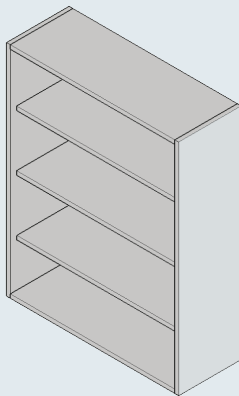
PLEASE NOTE THE SPECIFIC CABINET AND DOOR ON ORDER FORM. DOOR FOR CABINET WILL BE PRODUCED WITHOUT HINGE MORTISE AND WILL BE SHIPPED LOOSE.



Doors Prepared for Glass

Item No.	Price
GDP	

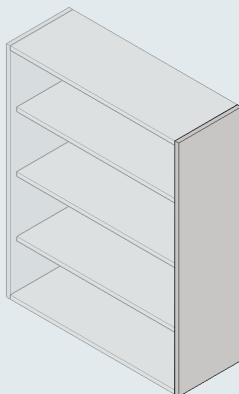
ALL WALL, BASE, TALL AND VANITY DOORS CAN BE PREPARED FOR GLASS. PRICE IS PER DOOR. DOES NOT INCLUDE GLASS



Finished Interior

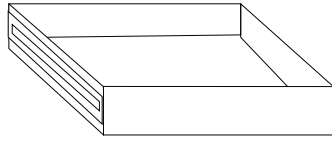
Item No.	Price
FIC	

ALL WALL, BASE, TALL AND VANITY DOORS CAN BE PRODUCED WITH A FINISHED MATCHING INTERIOR. CABINET PRICE x 1.25 = TOTAL LIST PRICE
 *AS A STANDARD, TOP AND BOTTOM OF CABINET WILL ALSO BE FINISHED.



Finished Ends

Item No.	Price
WFE	
BFE	
TFE	



Rollout Tray

Item No.	Height
ROT	4 1/4

CAN BE ADDED TO BASES, VANITIES
AND TALL CABINETS



Waste Container (Single or Double)

Item No.
SINGLE: 4WCSC-1535DM-1-12
DOUBLE: 4WCSC-1835DM-2-16



Lazy Susan Insert Wood Banded

Item No.
LD-4BW-472-28-1-12



Soft Close Hinge and Plate

Item No.	Width	Height	Depth
HINGE			



Soft Close Glides

Item No.	Width	Height	Depth
SCGFD			21
SCGVD			19



Touch-Up kit

Item No.	Width	Height	Depth
TOUCHUPK			



Side and Bottom Mount Base Pullout w/BLUMOTION Soft-Close

Item No.

FOR FHB-09 448-BCSC-6C

FOR FHB-12 448-BCSC-9C

FOR FHB-15 448-BCSC-12C



Base Cabinet Pullout with Utensil Bins

Item No.

MINIMUM 6" OPENING 448-UT-BCSC-5C

MINIMUM 9" OPENING 448-UT-BCSC-8C



Wood Cutlery Tray Insert

Item No.

MINIMUM 8 3/4"-MAXIMUM 14 5/8" 4WCT-1

MINIMUM 14 1/2"-MAXIMUM 20 5/8" 4WCT-3



Trimmable Polymer Spice Tray

Item No.

SIMULATED WOOD GRAIN ST50-21A-52

AVAILABLE ON ALL BASE TOP DRAWER SIZES



Stainless Steel Sink Front Tip-Out Tray

Item No.

MAXIMUM OPENING 32 1/2" 6581-10-52



Bottom Mount Waste Pullout with Single or Double Waste Container

Item No.

SINGLE MIN. OPENING 11 3/4" 4VLWCSC-1535DM-1

DOUBLE MIN. OPENING 14 3/4" 4VLWCSC-1835DM-2

DOUBLE MIN. OPENING 17 3/4" 4VLWCSC-2135DM-2